

1800 SERIES WATER METERS

ISTEC

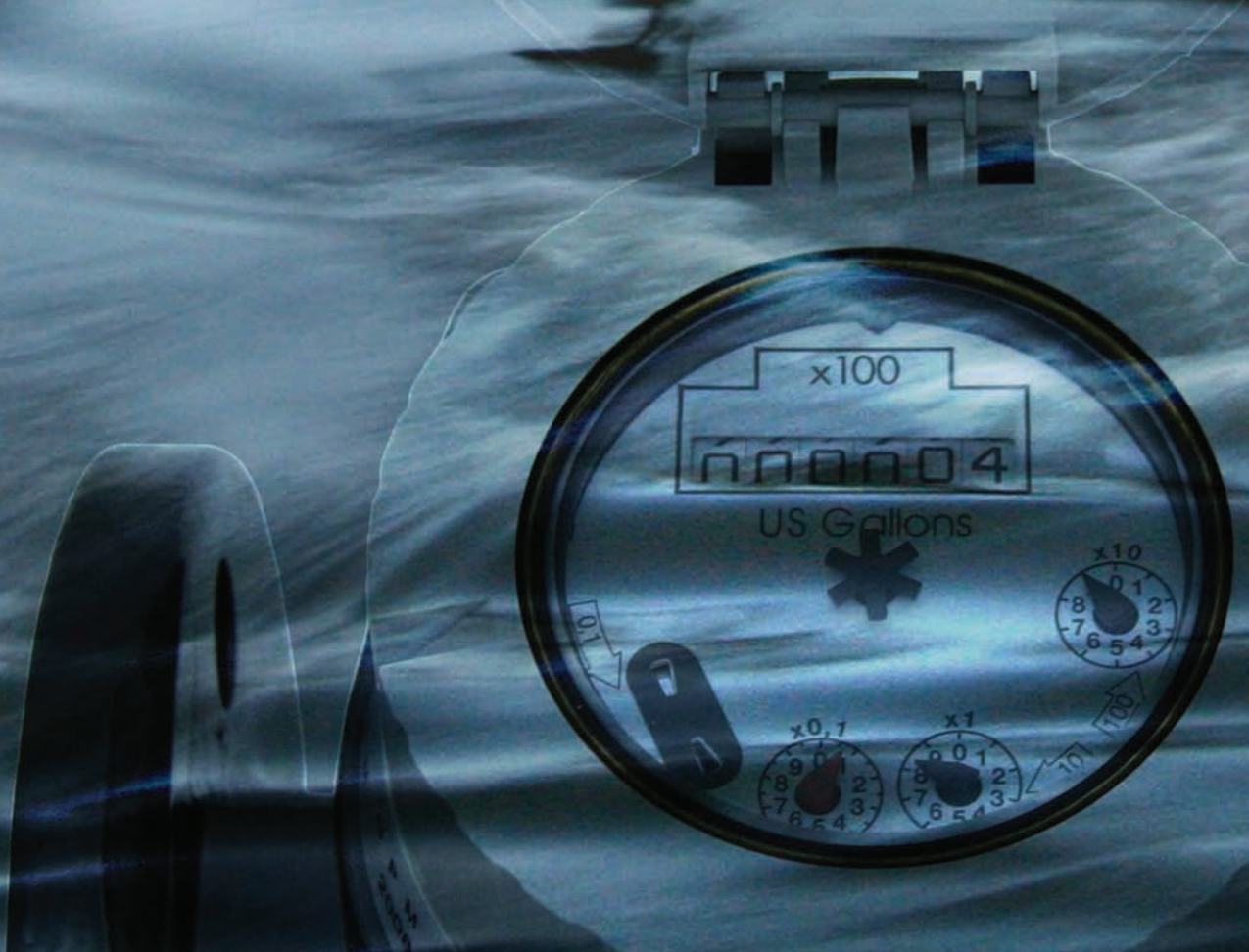
Flow Measurement & Control

Distributed By

MVC

Meter, Valve & Control

877-566-3837



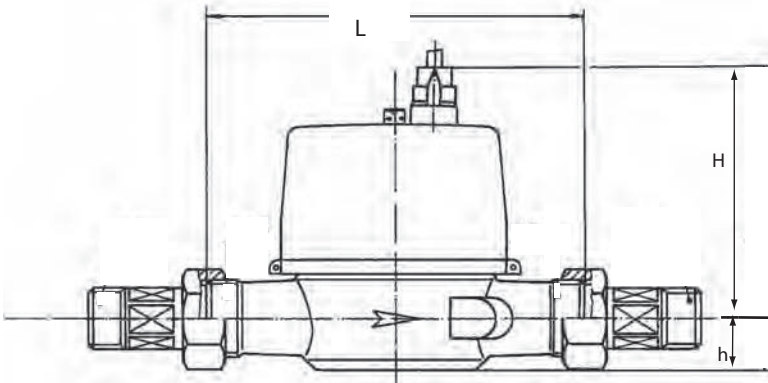
ISTEC's 1800 Series Single-Jet Water Meter in 1/2" & 3/4"



- Single Jet Design with only the impeller in the flow chamber for reliable performance
- Carbide bearing for long lasting life
- Hermetically Sealed Counter is dust and waterproof preventing internal condensation caused by temperature variations
- The roller counter can be rotated for easy reading
- The built-in reed switch is cast into a waterproof enclosure and can be field replaced
- Compact design for easy installation
- The meter can be mounted horizontally or vertically

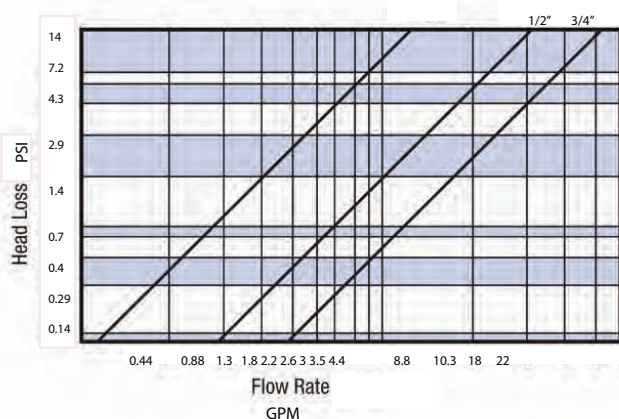
Model Number	1800	1805
Pipe Size	1/2"	3/4"
Minimum Flow Rate (GPM)	0.13	0.22
Continuous Flow Rate (GPM)	6.6	11
Maximum Flow Rate (GPM)	13.2	22
Maximum Operation Temperature (F)	248	248
Maximum Operation Pressure (PSI)	232	232
Design	Single Jet	Single Jet
Mounting Connections	NPT	NPT
Mounting Position	Any	
Pulse (gal/pulse)	1	1
Weight (pounds)	2.3	2.5

1800 & 1805 Dimensional Data

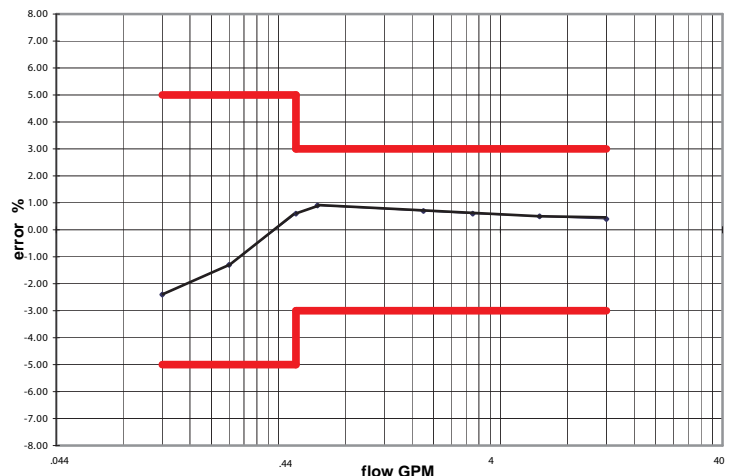


Dimensions	1800	1805
L	4 1/2"	5"
H	3 3/4"	3 3/4"
h	3/4"	3/4"

Pressure Loss



Accuracy



ISTEC's 1800 Series Multi-Jet Water Meter in 1" through 2"

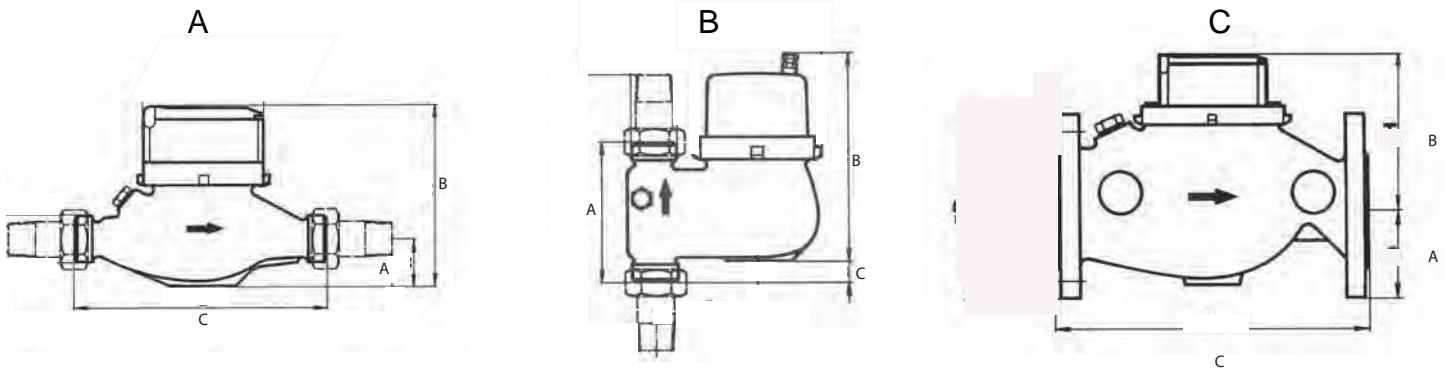


- Multi-Jet Design with only the impeller operating in the flow chamber for reliable performance
- No straight pipe required before or after the meter
- Hermetically Sealed Counter is dust and waterproof preventing internal condensation
- The roller counter can be rotated for easy reading
- The built-in reed switch is cast into a waterproof enclosure and can be field replaced
- Compact design for easy installation
- Unique design allows easy maintenance and repair
- Calibration test certification available on request

Model Number	1810	1811	1812	1815	1816	1820
Pipe Size	1"	1"	1"	1 1/2"	1 1/2"	2"
Minimum Flow Rate (GPM)	0.4	0.4	0.4	0.7	0.7	0.88
Continuous Flow Rate (GPM)	26.32	26.32	26.32	43.86	43.86	66
Maximum Flow Rate (GPM)	52.6	52.6	52.6	87.22	87.22	132
Maximum Operation Temperature (F)	248	248	248	248	248	248
Maximum Operation Pressure (PSI)	232	232	232	232	232	232
Design	Multi-Jet					
Mounting Connections	NPT	NPT	NPT	NPT	NPT	Flanged
Mounting Position	H	D	U	H	D	H
Pulse (gal/pulse)	1	1	1	1	1	10
Weight (pounds)	6.4	6.8	6.8	11.3	12.1	27.5

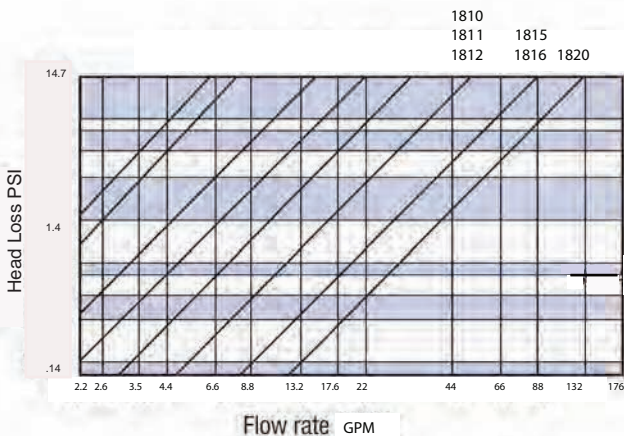
H : Horizontal Installation, D : Vertical Downflow Installation, U : Vertical Upflow Installation

Dimensional Data

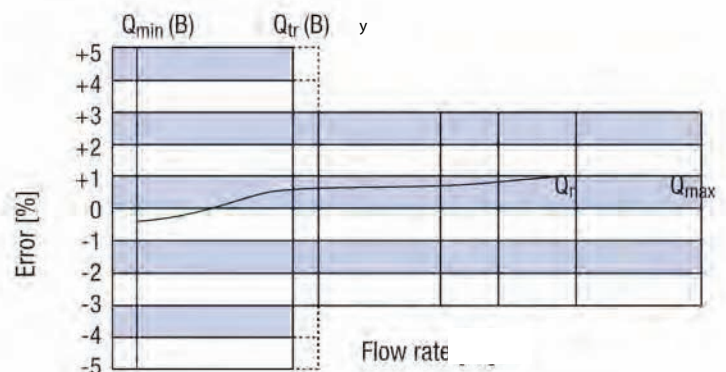


Dimensions	1810	1811	1812	1815	1816	1820
Pipe Size	1"	1"	1"	1 1/2"	1 1/2"	2"
A	1 3/4"	5 7/8"	5 7/8"	2"	7 7/8"	3 1/4"
B	5 1/2"	7 1/2"	7 1/2"	6 1/4"	8 3/4"	7 1/8"
C	10 1/4"	1 1/4"	1 1/4"	11 7/8"	7/8"	10 1/2"
Drawing	A	B	B	A	B	C

Pressure Loss



Accuracy



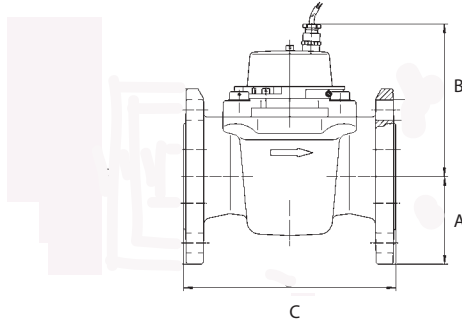
ISTEC's 1800 Series Woltmann Design Water Meter in 2" through 12"



- Woltmann (Flow Chamber) Design with only the impeller operating in the flow chamber for reliable performance
- Very low head pressure loss
- Installation in the Horizontal or Vertical positions
- Hermetically Sealed Counter is dust and water proof preventing internal condensation
- The roller counter can be rotated for easy reading
- The built-in reed switch is cast into a waterproof enclosure and can be field replaced
- Compact design for easy installation
- Field replaceable flow chamber is factory calibrated

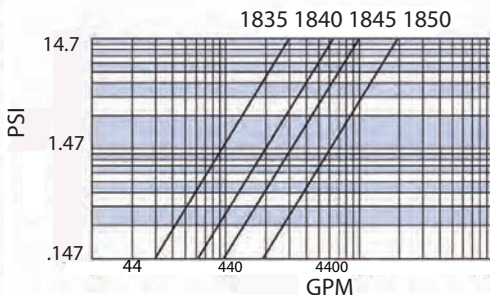
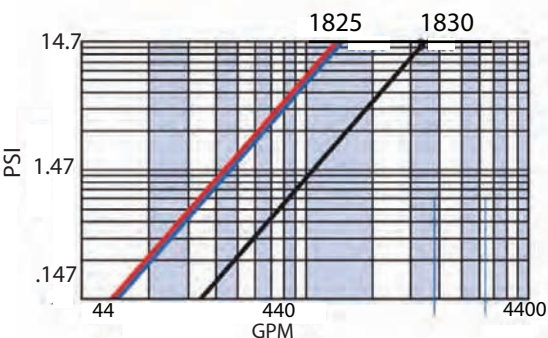
Model Number	1825	1830	1835	1840	1845	1850	1855
Pipe Size	2"	3"	4"	6"	8"	10"	12"
Minimum Flow Rate (GPM)	2.64	14.09	5.26	26.32	43.86	53	66
Continuous Flow Rate (GPM)	66.04	140.89	263.2	657.9	1096.5	1761	2642
Maximum Flow Rate (GPM)	264.2	396.26	790	1535	2631	4400	5284
Maximum Operation Temperature (F)	248	248	248	248	248	248	248
Maximum Operation Pressure (PSI)	232	232	232	232	232	232	232
Design	Woltman	Woltman	Woltman	Woltman	Woltman	Woltman	Woltman
Mounting Connections	Flanged	Flanged	Flanged	Flanged	Flanged	Flanged	Flanged
Mounting Position	Any						
Pulse (gal/pulse)	10	10	10	100	100	100	100
Weight (pounds)	24.4	27.5	43.7	71.6	99.2	260.0	300.0

1800 Series Dimensions



Dimensions	1825	1830	1835	1840	1845	1850	1855
Pipe Size	2"	3"	4"	6"	8"	10"	12"
A	3"	3 3/4"	4 3/8"	5 3/4"	6 3/4"	8"	9"
B	5 1/2"	5 1/2"	7 1/2"	8 1/2"	8 1/2"	9 1/4"	10 1/4"
C	7 7/8"	8 7/8"	9 7/8"	11 7/8"	13 3/4"	17 3/4"	19 3/4"

Pressure Loss



Accuracy

