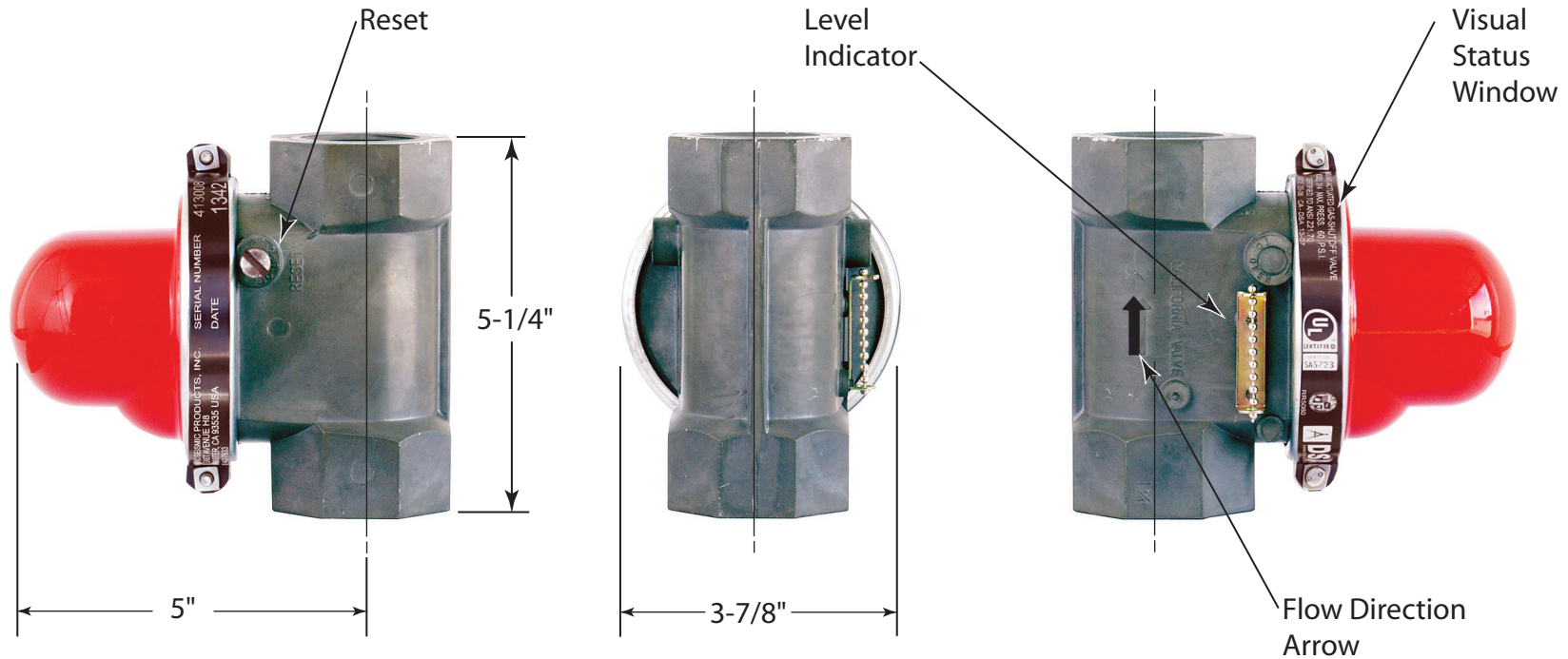


Specifications: Model VB-302(7) NPT Valve

Vertical - Bottom In Flow



Valve Model#	CA-DSA No.	Length	Height	Width	Nominal Pipe Size	Threads Per Inch	APPLICATION DATA	
							Max. Pressure	Fuel
VB-302(7)	13-46	5"	5-1/4"	3-7/8"	1-1/4"	11-1/2	7.0 psi	Dry Fuel Gas

www.mvandc.com | sales@mvandc.com | Phone 877.566.3837 | Fax 925.407.2903

California Seismic Valves are UL listed in the USA. Certified by the California State Architect's Office, Approved by the City of Los Angeles, and are warranted free of manufacturer's defects for 30 years. All valves meet California Standards for Earthquake Actuated Automatic Gas Shut off Systems, Standard No. 12-12-1, ANSI Z21.21, 2012 and ASCE 25-06 Standards.

Pacific Seismic Products

233 East Avenue H-8 • Lancaster, CA 93535 • USA

Distributed By
MVC
 Meter, Valve & Control
 877-566-3837

1-1/4" Model VB-302 California Seismic Valve

Threaded Vertical - Upward Flow

FLOW CAPACITY TABLE IWC/PSIG - Capacity S.C.F.H.

Merit Rating: Cv 64 (Equivalent Length of Pipe is 4 Feet)

For determining approximate values at selected natural gas pressures to 60 PSIG

Pressure Drop		8" iwc Inlet	14" iwc Inlet	3 psi Inlet	5 psi Inlet	7 psi Inlet	10 psi Inlet	20 psi Inlet	60 psi Inlet
PSI	IWC								
.0036	0.1	1,103	1,111	1,198	1,264	1,327	1,416	1,678	2,462
.0072	0.2	1,560	1,571	1,695	1,788	1,876	2,002	2,373	3,482
.0108	0.3	1,911	1,924	2,075	2,189	2,298	2,452	2,906	4,265
.0144	0.4	2,187	2,204	2,396	2,528	2,653	2,831	3,356	4,924
.0180	0.5	2,466	2,484	2,679	2,826	2,966	3,165	3,752	5,505
.0216	0.6	2,701	2,721	2,934	3,096	3,249	3,467	4,109	6,031
.0252	0.7	2,917	2,938	3,169	3,343	3,509	3,744	4,439	6,514
.0288	0.8	3,118	3,141	3,387	3,574	3,751	4,002	4,745	6,963
.0324	0.9	3,307	3,331	3,592	3,790	3,978	4,245	5,032	7,386
.0360	1.0	3,486	3,511	3,786	3,995	4,193	4,474	5,304	7,785
.0720	2.0	4,924	4,959	5,349	5,644	5,925	6,323	7,497	11,007
.1080	3.0	6,023	6,066	6,544	6,907	7,251	7,738	9,178	13,477
.1440	4.0	6,946	6,996	7,549	7,968	8,365	8,929	10,592	15,558
.1800	5.0	7,757	7,813	8,432	8,900	9,345	9,975	11,836	17,391



Vertical Valves

Maximum Pressures of Available Sizes		Sizes Available														Ambient Temperature CA DSA: -30°C (-22°F) to +70°C (158°F) Fluid Natural gas LP gas
		NPT								Flanged						
		3/4"	1"	1 1/4"	1 1/2"	2"	2 1/2"	3"	4"	2"	2 1/2"	3"	4"	6"	8"	
7 psi		✓	✓	✓	✓											
60 psi		✓	✓	✓	✓	✓	✓	✓	✓	✓	✓	✓	✓	✓		