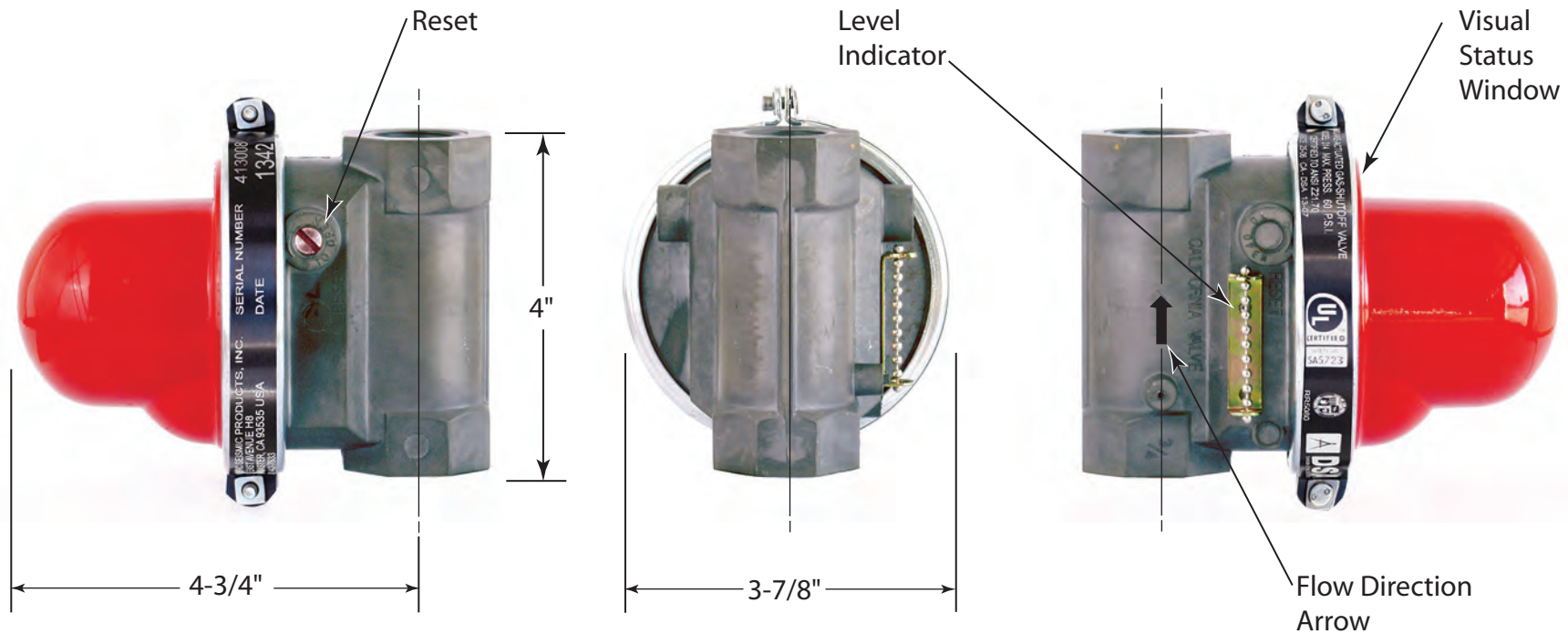


# Specifications: Model VB-310(60) NPT Valve

## Vertical - Bottom In Flow



| Valve Model# | CA-DSA No. | Length | Height | Width  | Nominal Pipe Size | Threads Per Inch | APPLICATION DATA |              |
|--------------|------------|--------|--------|--------|-------------------|------------------|------------------|--------------|
|              |            |        |        |        |                   |                  | Max. Pressure    | Fuel         |
| VB-310       | 13-40      | 4-3/4" | 4"     | 3-7/8" | 3/4"              | 14               | 60 psi           | Dry Fuel Gas |

[www.mvandc.com](http://www.mvandc.com) | [sales@mvandc.com](mailto:sales@mvandc.com) | Phone 877.566.3837 | Fax 925.407.2903

California Seismic Valves are UL listed in the USA. Certified by the California State Architect's Office, Approved by the City of Los Angeles, and are warranted free of manufacturer's defects for 30 years. All valves meet California Standards for Earthquake Actuated Automatic Gas Shut off Systems, Standard No. 12-12-1, ANSI Z21.21, 2012 and ASCE 25-06 Standards.

**Pacific Seismic Products**  
 233 East Avenue H-8 • Lancaster, CA 93535 • USA

Distributed By  
**MVC**  
 Meter, Valve & Control  
 877-566-3837

# 3/4" Model VB-310 California Seismic Valve

## Threaded Vertical - Upward Flow

### FLOW CAPACITY TABLE IWC/PSIG - Capacity S.C.F.H.

Merit Rating: Cv 21 (Equivalent Length of Pipe is 3 Feet)

For determining approximate values at selected natural gas pressures to

| Pressure Drop |     | 8" iwc Inlet | 14" iwc Inlet | 3 psi Inlet | 5 psi Inlet | 7 psi Inlet | 10 psi Inlet | 20 psi Inlet | 60 psi Inlet |
|---------------|-----|--------------|---------------|-------------|-------------|-------------|--------------|--------------|--------------|
| PSI           | IWC |              |               |             |             |             |              |              |              |
| .0036         | 0.1 | 362          | 365           | 393         | 415         | 435         | 465          | 551          | 808          |
| .0072         | 0.2 | 512          | 516           | 556         | 587         | 616         | 657          | 779          | 1,143        |
| .0108         | 0.3 | 627          | 631           | 681         | 718         | 754         | 804          | 954          | 1,399        |
| .0144         | 0.4 | 724          | 729           | 786         | 829         | 871         | 929          | 1,101        | 1,616        |
| .0180         | 0.5 | 809          | 815           | 879         | 927         | 973         | 1,038        | 1,231        | 1,806        |
| .0216         | 0.6 | 886          | 893           | 963         | 1,016       | 1,066       | 1,137        | 1,348        | 1,979        |
| .0252         | 0.7 | 957          | 964           | 1,040       | 1,097       | 1,151       | 1,229        | 1,456        | 2,137        |
| .0288         | 0.8 | 1,023        | 1,031         | 1,111       | 1,173       | 1,231       | 1,313        | 1,557        | 2,285        |
| .0324         | 0.9 | 1,085        | 1,093         | 1,179       | 1,244       | 1,305       | 1,393        | 1,651        | 2,423        |
| .0360         | 1.0 | 1,144        | 1,152         | 1,242       | 1,311       | 1,376       | 1,468        | 1,740        | 2,554        |
| .0720         | 2.0 | 1,616        | 1,627         | 1,755       | 1,852       | 1,944       | 2,075        | 2,460        | 3,612        |
| .1080         | 3.0 | 1,976        | 1,990         | 2,147       | 2,286       | 2,379       | 2,539        | 3,011        | 4,422        |
| .1440         | 4.0 | 2,279        | 2,296         | 2,477       | 2,614       | 2,745       | 2,930        | 3,475        | 5,105        |
| .1800         | 5.0 | 2,545        | 2,564         | 2,767       | 2,920       | 3,066       | 3,273        | 3,884        | 5,706        |



### Vertical Valves

|                                      |        | Sizes Available |    |        |        |    |        |    |    |         |        |    |    |    |    | Ambient Temperature                          |                       |
|--------------------------------------|--------|-----------------|----|--------|--------|----|--------|----|----|---------|--------|----|----|----|----|--|-----------------------|
|                                      |        | NPT             |    |        |        |    |        |    |    | Flanged |        |    |    |    |    | CA DSA:<br>-30°C (-22°F) to<br>+70°C (158°F) | Fluid                 |
|                                      |        | 3/4"            | 1" | 1 1/4" | 1 1/2" | 2" | 2 1/2" | 3" | 4" | 2"      | 2 1/2" | 3" | 4" | 6" | 8" |  |                       |
| Maximum Pressures of Available Sizes | 7 psi  | ✓               | ✓  | ✓      | ✓      |    |        |    |    |         |        |    |    |    |    |  | Natural gas<br>LP gas |
|                                      | 60 psi | ✓               | ✓  | ✓      | ✓      | ✓  | ✓      | ✓  | ✓  | ✓       | ✓      | ✓  | ✓  | ✓  | ✓  |  |                       |