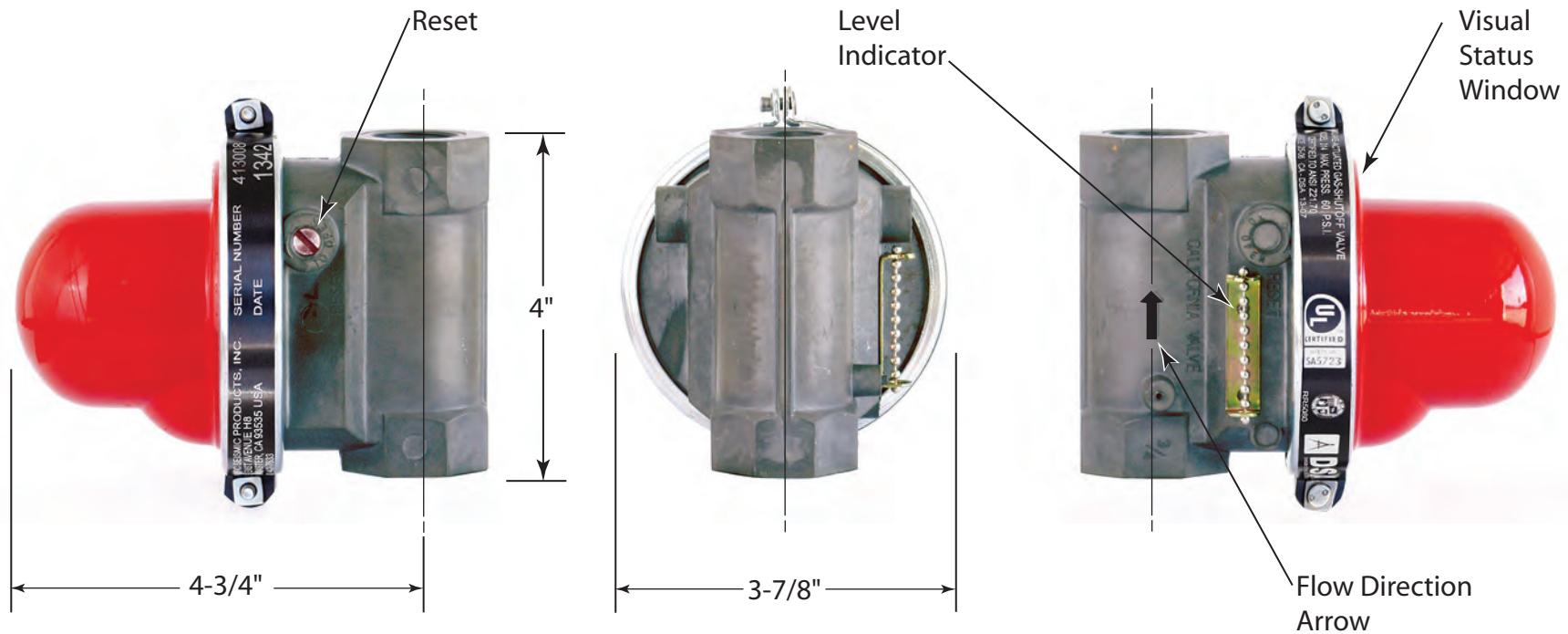


Specifications: Model VB-311(60) NPT Valve

Vertical - Bottom In Flow



Valve Model#	CA-DSA No.	Length	Height	Width	Nominal Pipe Size	Threads Per Inch	APPLICATION DATA	
							Max. Pressure	Fuel
VB-311	13-44	4-3/4"	4"	3-7/8"	1"	11-1/2	60 psi	Dry Fuel Gas

www.mvandc.com | sales@mvandc.com | Phone 877.566.3837 | Fax 925.407.2903

California Seismic Valves are UL listed in the USA. Certified by the California State Architect's Office, Approved by the City of Los Angeles, and are warranted free of manufacturer's defects for 30 years. All valves meet California Standards for Earthquake Actuated Automatic Gas Shut off Systems, Standard No. 12-12-1, ANSI Z21.21, 2012 and ASCE 25-06 Standards.

Pacific Seismic Products
 233 East Avenue H-8 • Lancaster, CA 93535 • USA

Distributed By
MVC
 Meter, Valve & Control
 877-566-3837

1" Model VB-311 California Seismic Valve

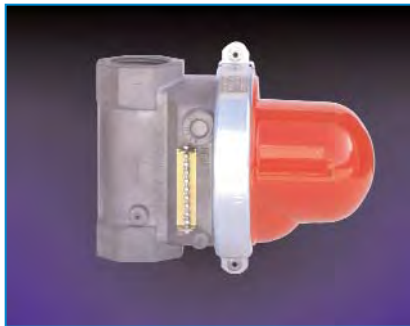
Threaded Vertical - Upward Flow

FLOW CAPACITY TABLE IWC/PSIG - Capacity S.C.F.H.

Merit Rating: Cv 41 (Equivalent Length of Pipe is 3 Feet)

For determining approximate values at selected natural gas pressures to 60 PSIG

Pressure Drop		8" iwc Inlet	14" iwc Inlet	3 psi Inlet	5 psi Inlet	7 psi Inlet	10 psi Inlet	20 psi Inlet	60 psi Inlet
PSI	IWC								
.0036	0.1	707	712	768	810	850	907	1,075	1,577
.0072	0.2	1,000	1,007	1,086	1,145	1,202	1,283	1,520	2,231
.0108	0.3	1,224	1,233	1,329	1,403	1,472	1,571	1,862	2,732
.0144	0.4	1,413	1,423	1,535	1,619	1,700	1,814	2,150	3,155
.0180	0.5	1,580	1,591	1,716	1,810	1,900	2,027	2,403	3,527
.0216	0.6	1,731	1,743	1,880	1,983	2,081	2,221	2,633	3,863
.0252	0.7	1,869	1,882	2,030	2,142	2,248	2,399	2,843	4,173
.0288	0.8	1,998	2,012	2,170	2,289	2,403	2,564	3,040	4,461
.0324	0.9	2,119	2,134	2,301	2,428	2,549	2,719	3,224	4,731
.0360	1.0	2,233	2,249	2,426	2,559	2,686	2,866	3,398	4,987
.0720	2.0	3,154	3,177	3,427	3,616	3,796	4,050	4,803	7,051
.1080	3.0	3,858	3,886	4,193	4,425	4,645	4,957	5,879	8,634
.1440	4.0	4,450	4,482	4,836	5,104	5,359	5,720	6,785	9,967
.1800	5.0	4,969	5,005	5,401	5,702	5,987	6,390	7,582	11,141



Vertical Valves

Maximum Pressures of Available Sizes		Sizes Available														Ambient Temperature CA DSA: -30°C (-22°F) to +70°C (158°F) Fluid Natural gas LP gas
		NPT								Flanged						
		3/4"	1"	1 1/4"	1 1/2"	2"	2 1/2"	3"	4"	2"	2 1/2"	3"	4"	6"	8"	
7 psi		✓	✓	✓	✓											
60 psi		✓	✓	✓	✓	✓	✓	✓	✓	✓	✓	✓	✓	✓		