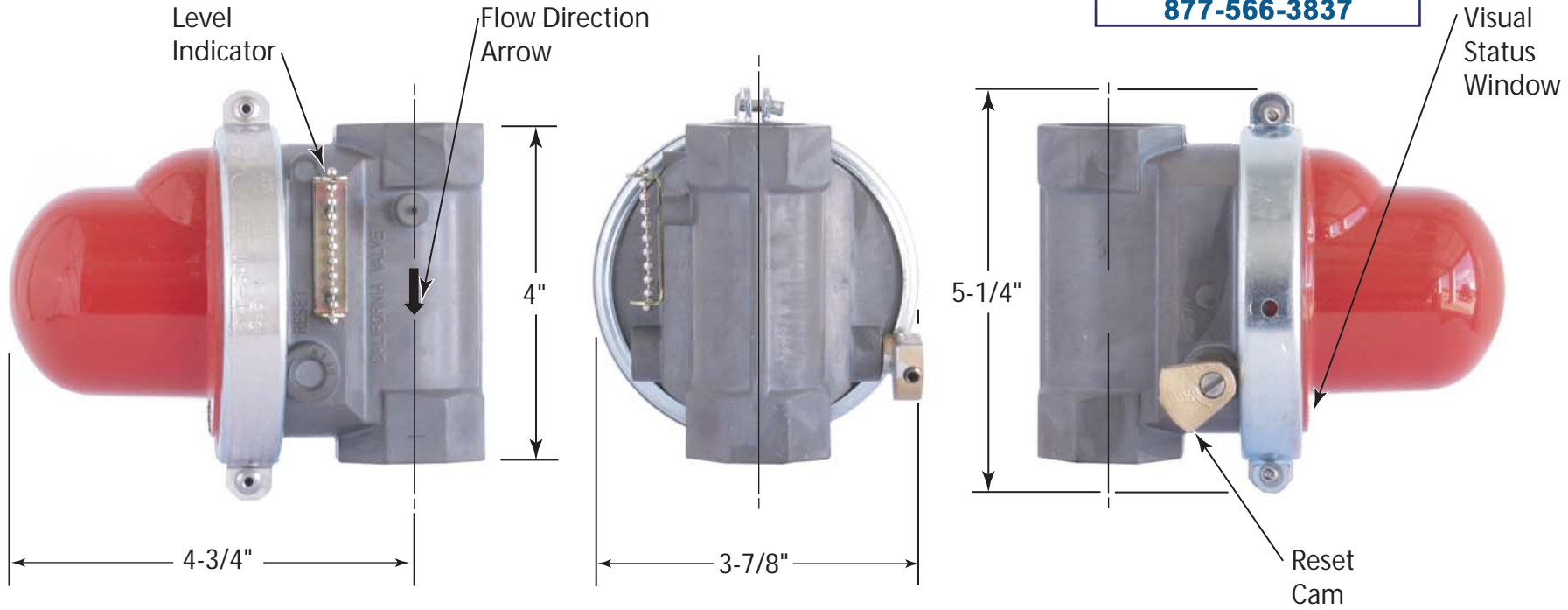


# Specifications: Model VT-301 NPT Valve

## Vertical - Top In Flow


Distributed By  
  
**Meter, Valve & Control**  
**877-566-3837**



Valve Model#	CA-DSA No.	Length	Height	Width	Nominal Pipe Size	Threads Per Inch	APPLICATION	
							Max. Pressure	DATA Fuel
VT-301	60-03	4-3/4"	5-1/4"	3-7/8"	1"	11-1/2	7.0 psi	Dry Fuel Gas

| sales@mvandc.com | Phone: 877.566.3837 | Fax: 925.407.2903

California Seismic Valves are UL listed in the USA and Canada, Certified by the California State Architect's Office, Approved by the City of Los Angeles, and are warranted free of manufacturer's defects for 30 years. All valves meet California Standards for Earthquake Actuated Automatic Gas Shut off Systems, Standard No. 12-23-1, ANSI Z21.70, 1981 and ASCE 25-97 Standards.



233 East Avenue H-8 • Lancaster, CA 93535 • USA

Tel (661) 942-4499  
 Fax (661) 942-0999  
 TF (800) 4-GAS-OFF  
[www.4GasOff.net](http://www.4GasOff.net)

# 1" Model VT-301 California Seismic Valve

## Threaded Vertical - Downward Flow

### FLOW CAPACITY TABLE IWC/PSIG - Capacity S.C.F.H.

Merit Rating: Cv 41 (Equivalent Length of Pipe is 3 Feet)

For determining approximate values at selected natural gas pressures to 60 PSIG

Pressure Drop		8" iwc Inlet	14" iwc Inlet	3 psi Inlet	5 psi Inlet	7 psi Inlet	10 psi Inlet	20 psi Inlet	60 psi Inlet
PSI	IWC								
.0036	0.1	707	712	768	810	850	907	1,075	1,577
.0072	0.2	1,000	1,007	1,086	1,145	1,202	1,283	1,520	2,231
.0108	0.3	1,224	1,233	1,329	1,403	1,472	1,571	1,862	2,732
.0144	0.4	1,413	1,423	1,535	1,619	1,700	1,814	2,150	3,155
.0180	0.5	1,580	1,591	1,716	1,810	1,900	2,027	2,403	3,527
.0216	0.6	1,731	1,743	1,880	1,983	2,081	2,221	2,633	3,863
.0252	0.7	1,869	1,882	2,030	2,142	2,248	2,399	2,843	4,173
.0288	0.8	1,998	2,012	2,170	2,289	2,403	2,564	3,040	4,461
.0324	0.9	2,119	2,134	2,301	2,428	2,549	2,719	3,224	4,731
.0360	1.0	2,233	2,249	2,426	2,559	2,686	2,866	3,398	4,987
.0720	2.0	3,154	3,177	3,427	3,616	3,796	4,050	4,803	7,051
.1080	3.0	3,858	3,886	4,193	4,425	4,645	4,957	5,879	8,634
.1440	4.0	4,450	4,482	4,836	5,104	5,359	5,720	6,785	9,967
.1800	5.0	4,969	5,005	5,401	5,702	5,987	6,390	7,582	11,141



### Vertical Valves

Maximum Pressures of Available Sizes		Sizes Available														Ambient Temperature UL -40° to 150° F CA DSA: -10° to 150°F Fluid Natural gas LP gas
		NPT							Flanged							
		3/4"	1"	1 1/4"	1 1/2"	2"	2 1/2"	3"	4"	2"	2 1/2"	3"	4"	6"	8"	
7 psi		✓	✓	✓	✓											
60 psi		✓	✓	✓	✓	✓	✓	✓	✓	✓	✓	✓	✓	✓		