

## DATTUS III Installation Quick Reference Guide

These installation instructions provide the general information to correctly store, unpack, and install the DATTUS III meter.



**Warning** Follow your company's standard operating procedures regarding the use of personal protection equipment (PPE). Adhere to guidelines issued by your company in addition to those contained in this document when installing or repairing meters.

### Handling and Storage

Store the meter in a clean, dry environment until you are ready to install the meter. The DATTUS III ships with protection caps on the inlet and outlet sides to prevent foreign matter from entering the measurement unit (see the following illustration). Make sure these caps remain in place until mounting the meter in the system.



### Unpacking and Inspecting Your DATTUS III Meter

The meter is packaged in a well-supported cardboard box. If the box is damaged, notify the carrier immediately of a potential mishandling problem.

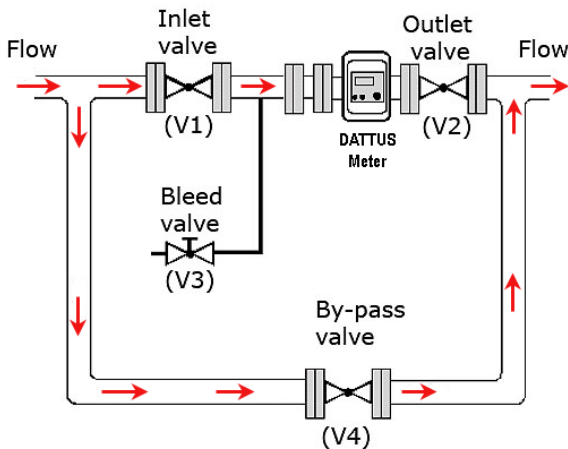
DATTUS III meters are packed individually. Each package should contain the following components:

- Meter with protection caps on the inlet and outlet
- Meter seals
- Calibration certificate
- DATTUS III Installation Quick Reference Guide
- Control drawing

## Meter Orientation

Install the DATTUS meter in the metering line without any special support. While the DATTUS meter can be installed in any orientation, Itron recommends the following installation guidelines:

- Do not install the DATTUS meter with the gas entry on the bottom.
- If liquids are present in the metering line, mount the meter in a horizontal position and/or use a filter designed to remove liquids from the metering line.
- When mounting the meter in the horizontal position, mount the meter with the register face out and the readout parallel to the ground as shown in the illustration below.
- The DATTUS meter will only accurately register flow in one direction. The flow direction is marked on the meter badge and the meter casting has the word *INLET*.



- You may install the DATTUS meter vertically. To orient the register properly for a vertical installation, it may be necessary to rotate the register.
- Register rotation may also be necessary for a right to left flow in horizontal installation.

### **To rotate the register for vertical mounting**

**Caution** Do not rotate the index housing more than 270 degrees. Rotating the index housing more than 270 degrees can cause tension on the battery cables.

1. Remove the two screws holding the external cover.



2. Remove the ten index cover screws.



3. Rotate the index housing.



4. Replace the index housing in the orientation shown in the illustration below.



5. Replace the ten housing screws.

### **To start-up the meter**

1. Slowly open inlet, outlet, and bypass valves. The pressurization rate of the meter must not exceed 4 psig per second.
2. After the meter is pressurized, check for leaks by applying a soap solution or other good leak detecting liquid to the connections.

---

**Warning** Always open and close the valves slowly to prevent pressure surges. Pressure surges may damage the meter equipment.

---

## **Product Warranty**

Itron, Inc. Gas Metering - U.S., 970 Highway 127 North, Owenton, Kentucky 40359-9802, warrants this gas product against defects in materials and workmanship for the earlier of one (1) year from the date the product is shipped by Itron, or a period of one year from the date the product is installed by Itron at the original purchaser's site. During such one-year period, provided that the original purchaser continues to own the product, Itron will, at its sole option, repair any defects, replace the product or repay the purchase price.

This warranty will be void if the purchaser fails to observe the procedures for installation, operation or service of the product as set forth in the Operating Manual and Specifications for the product or if the defect is caused by tampering, physical abuse or misuse of the product. Itron specifically disclaims all implied warranties including those of merchantability or of fitness for a particular purpose. Under no circumstances will Itron be liable for incidental or consequential damages of any kind whatsoever.

Itron's liability for any claim of any kind, including negligence and breach of warranty for the sale and use of any product covered by or furnished, shall in no case exceed the price allocable to the product or part thereof which gives rise to the claim. In the event of a malfunction of the product, consult your Itron service representative or Itron Gas Metering - U.S., 970 Highway 127 North, Owenton, Kentucky 40359-9802.



**Warning** This product, as of the date of manufacture, is designed and tested to conform to all governmental and industry safety standards as they may apply to the manufacturer. The purchaser/user of this product must comply with all fire control, building codes, and other safety regulations governing the application, installation, operation, and general use of this meter to avoid leaking gas hazards resulting from improper installation, startup or use of this product.

To ensure safe and efficient operation of this product, Itron strongly recommends installation by a qualified professional.

Itron is a registered trademark of Itron, Inc. © Itron, Inc. All rights reserved 08/05/2011  
Contact • Itron, Inc., Gas Metering - U.S., 970 Hwy. 127 North, Owenton, Kentucky 40359-9302, USA  
Telephone: (502) 484-5747 Toll-free: 800-490-0657 Fax: (502) 484-6223

# Dattus Installation: Meter Orientation

---



**Warning** Follow your company's standard operating procedures regarding the use of personal protection equipment (PPE). Adhere to guidelines issued by your company in addition to those contained in this document when installing or repairing meters.



## Horizontal Pipe Run

Itron recommends installing the Dattus meter with the index (LCD) out to the side in horizontal pipe runs (meter's long axis is parallel to the ground) as shown.



## Vertical Pipe Run

Itron recommends installing the Dattus meter with the gas flow down in vertical pipe runs as shown.



**Warning** Incorrectly installed Dattus meters (installations with the index [LCD] facing up) increase the likelihood contaminants in the gas line can strike and damage the sensors used to measure gas flow. In rare cases where the gas line is free of contamination, the Dattus meter could be installed in any orientation. In most installations, there is some contamination (rust, sand, weld slag, pipe shavings or other foreign materials) in the gas line. Orienting the Dattus as recommended above, minimizes the chance of debris damaging the meter's sensors. **Dattus meter sensors damaged by pipeline contaminants are not covered by the meter's warranty.**



**Incorrect installation**

Itron is a registered trademark of Itron, Inc. © 2009 Itron, Inc. All rights reserved  
Contact • Itron, Inc., Gas Metering - U.S., 970 Hwy. 127 North, Owenton, Kentucky 40359-9302 USA  
Phone: (502) 484-5747 Toll free: 800-490-0657 Fax: (502) 484-6223