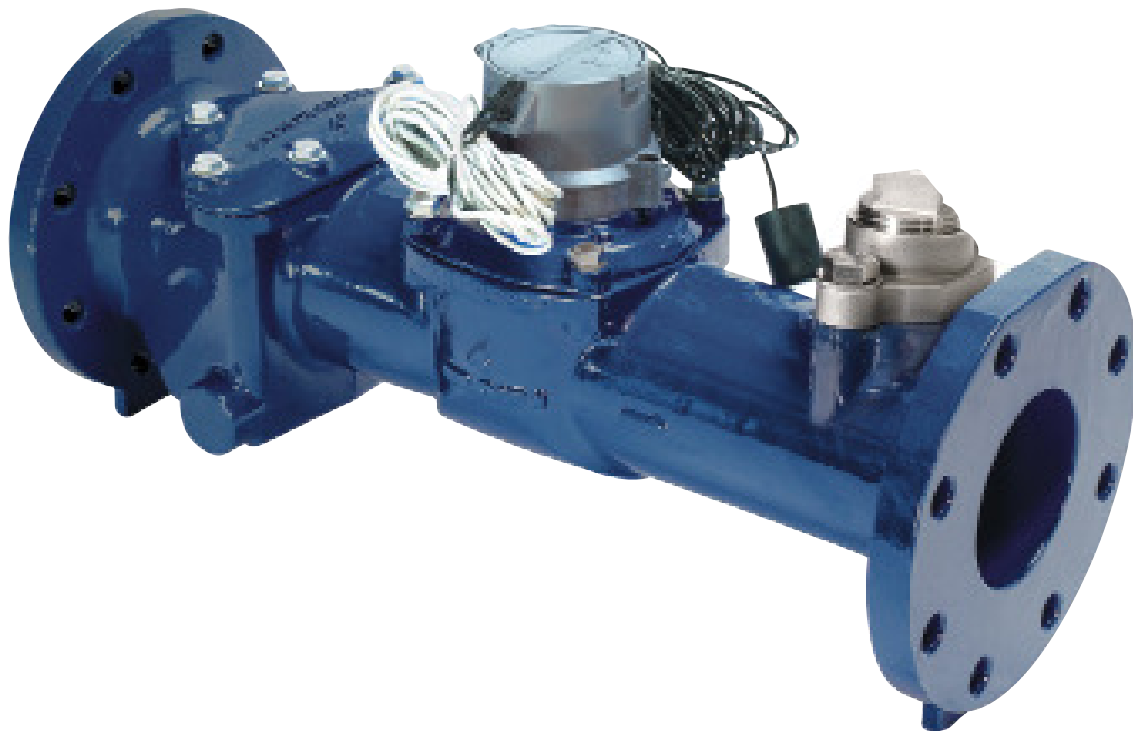
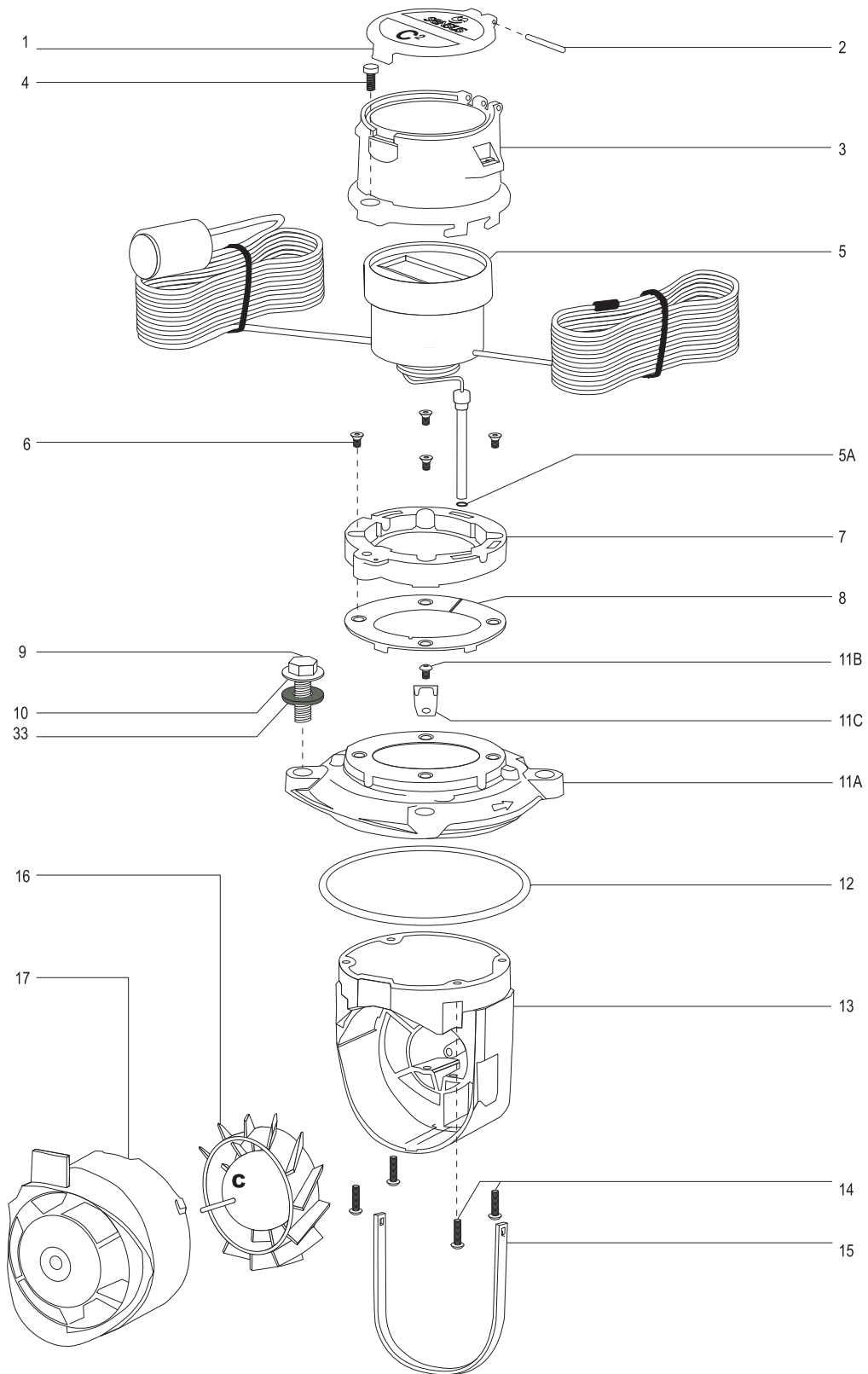


**OMNI C<sup>2</sup>: 1 1/2", 2", 3", 4", 6", 8" and 10"**

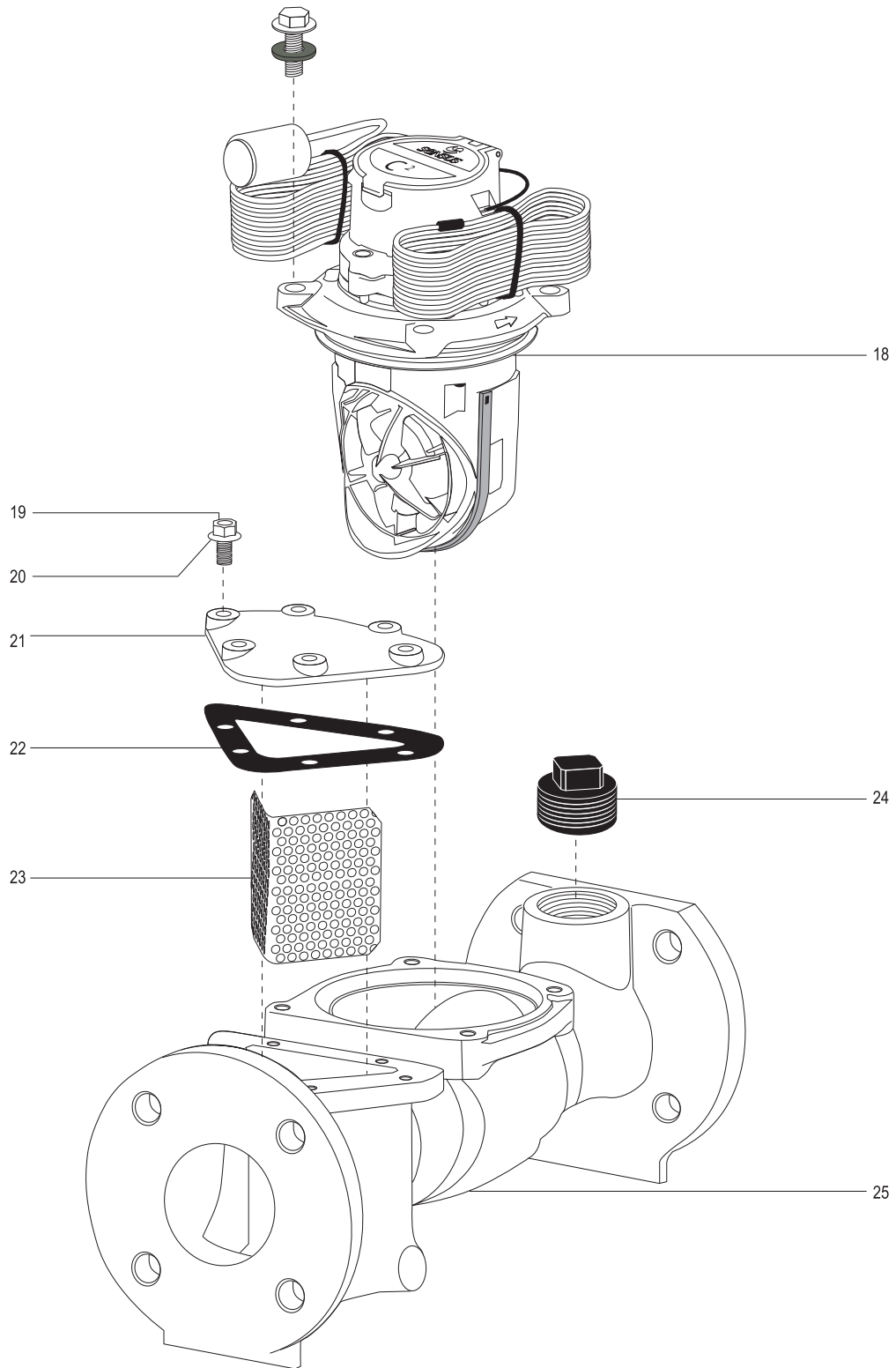
Distributed By  
**MVC**  
Meter, Valve & Control  
**877-566-3837**



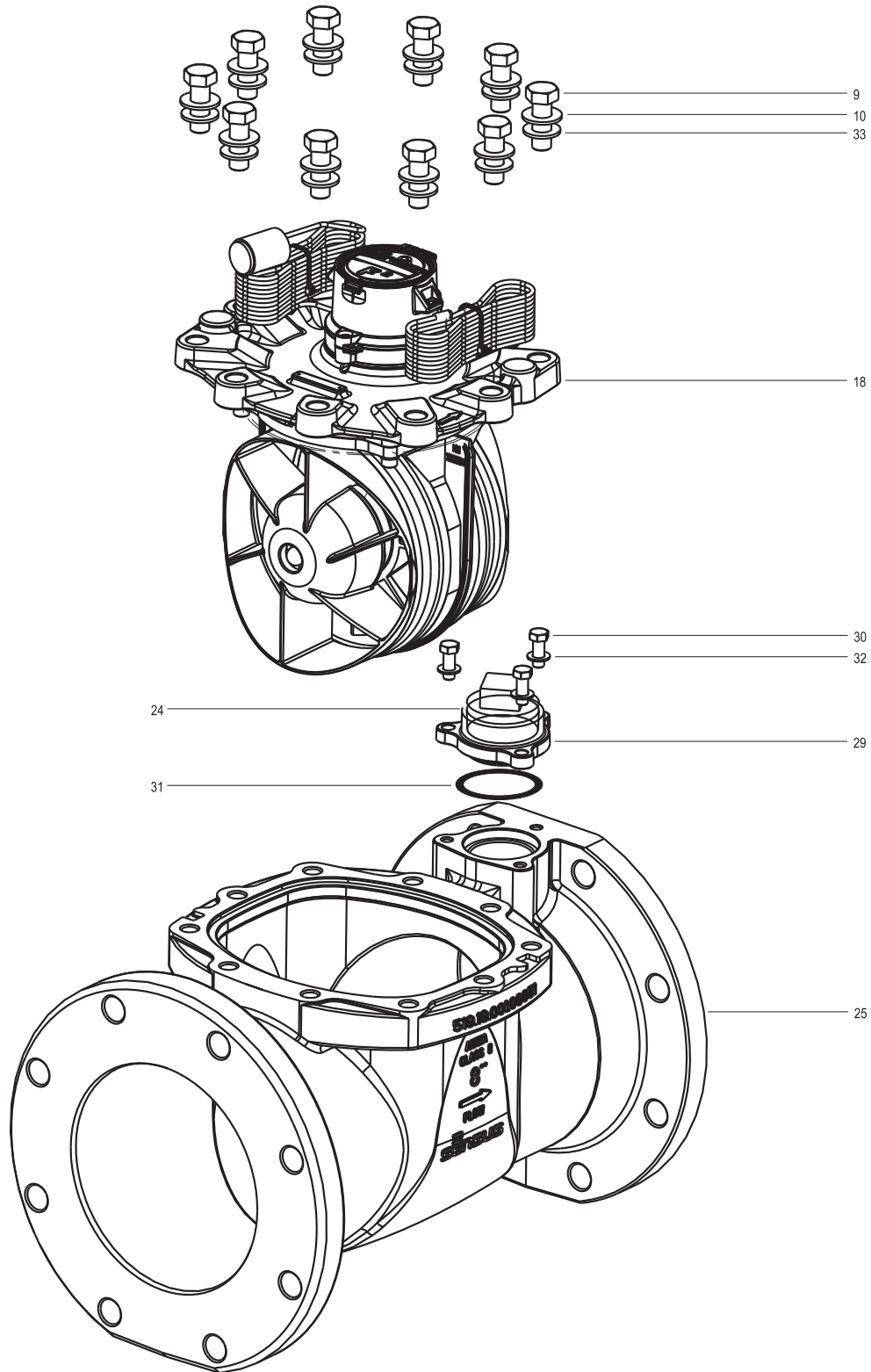
### OMNI C<sup>2</sup>: 1-1/2", 2", 3", 4", 6", 8" and 10"



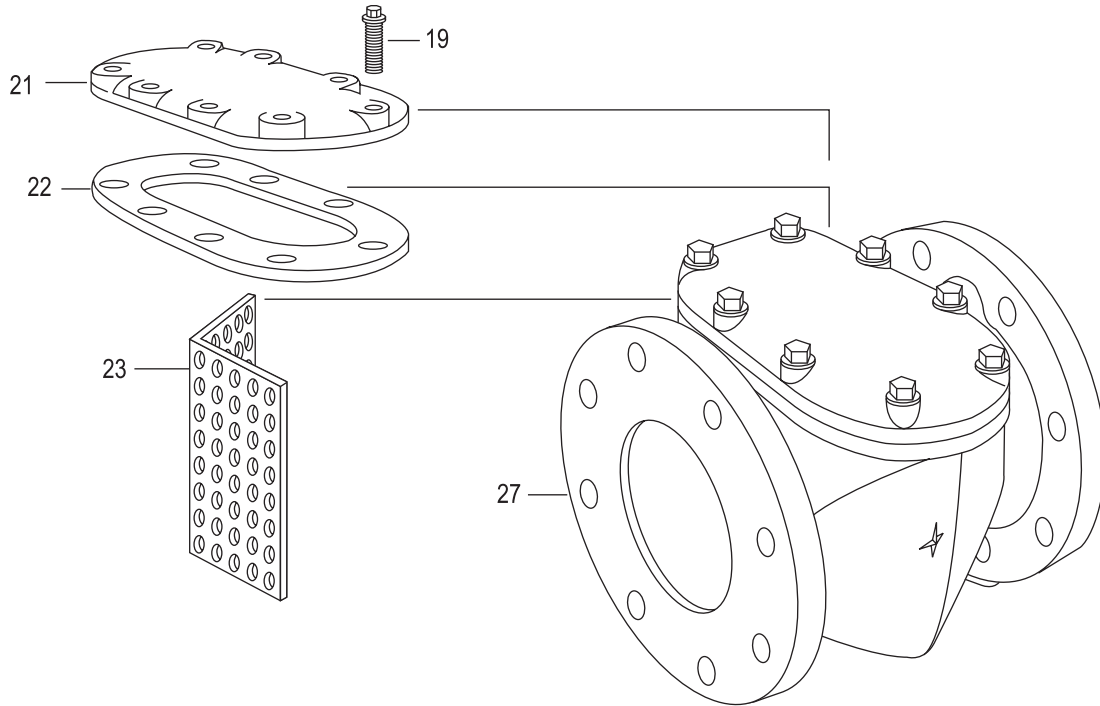
**OMNI C<sup>2</sup>: 1-1/2", 2", 3", 4" and 6"**



### OMNI C<sup>2</sup>: 8" and 10"



### OMNI C<sup>2</sup>: 8" and 10"



**OMNI C<sup>2</sup>: 1-1/2", 2", 3", 4", 6", 8" and 10"**

ILL. No.	Name of Part
1	C <sup>2</sup> Bonnet Lid
2	Hinge Pin
3	Bonnet*
4	Bonnet Seal Screw
5	Register
5A	Register Pick-Up Probe O-Ring
6	Locking Ring Screw
7	Locking Ring
8	Fixing Ring
9	Chamber Cover Bolt
10	Chamber Cover Bolt Washer
11A	Chamber Cover
11B	Screw
11C	Spring
12	Chamber Cover O-Ring or Gasket
13	Measuring Insert
14	Measuring Insert Screw
15	Chamber Seal Gasket (not used on 10")
16	C <sup>2</sup> Rotor*

ILL. No.	Name of Part
17	T <sup>2</sup> Balance Plate
18	Measuring Chamber
19	Strainer Cover Cap Screw
20	Strainer Cover Bolt Washer
21	Strainer Cover
22	Strainer Cover Gasket
23	Strainer Screen
24	Test Plug
25	C <sup>2</sup> Maincase
27	Strainer Body
28	Test Port Cap (not shown)
29	Test Port Cap Adapter
30	Test Port Cap Screws
31	Test Port O-Ring
32	Test Port Washer
33	Chamber Cover Washer — Black Nylon

\* For 3" or 4" C<sup>2</sup> rotor / bonnet replacement, order either for the 3" meter size or 4" meter size (See size on front of register bonnet).

© All products purchased and services performed are subject to Sensus' terms of sale, available at either; <http://na.sensus.com/TC/TermsConditions.pdf> or 1-800-METER-IT. Sensus reserves the right to modify these terms and conditions in its own discretion without notice to the customer.

This document is for informational purposes only, and SENSUS MAKES NO EXPRESS WARRANTIES IN THIS DOCUMENT. FURTHERMORE, THERE ARE NO IMPLIED WARRANTIES, INCLUDING WITHOUT LIMITATION, WARRANTIES AS TO FITNESS FOR A PARTICULAR PURPOSE AND MERCHANTABILITY. ANY USE OF THE PRODUCTS THAT IS NOT SPECIFICALLY PERMITTED HEREIN IS PROHIBITED.