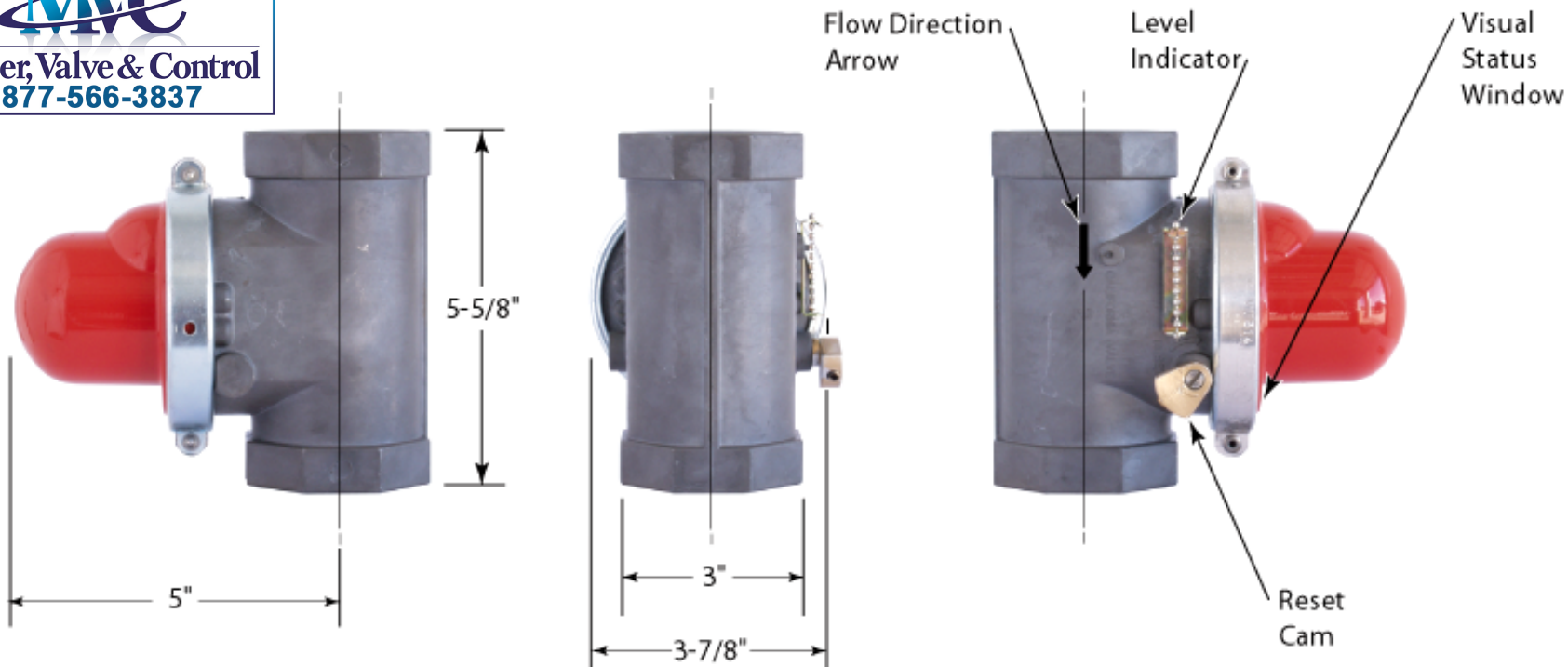


# Specifications: Model VT-314(60) NPT Valve

## Vertical - Top In Flow

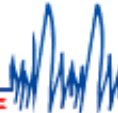
Distributed By  
  
**Meter, Valve & Control**  
 877-566-3837



Valve Model#	CA-DSA No.	Length	Height	Octagon	Nominal Pipe Size	Threads Per Inch	APPLICATION	
							Max. Pressure	DATA Fuel
VT-314	60-04	5-1/4"	5-5/8"	3"	2"	11-1/2	60 psi	Dry Fuel Gas

| sales@mvandc.com | Phone: 877.566.3837 | Fax: 925.407.2903

California Seismic Valves are UL listed in the USA and Canada, Certified by the California State Architect's Office, Approved by the City of Los Angeles, and are warranted free of manufacturer's defects for 30 years. All valves meet California Standards for Earthquake Actuated Automatic Gas Shut off Systems, Standard No. 12-23-1, ANSI Z21.70, 1981 and ASCE 25-97 Standards.

**Pacific Seismic Products**  
  
 233 East Avenue H-8 • Lancaster, CA 93535 • USA

Tel (661) 942-4499  
 Fax (661) 942-0999  
 TF (800) 4-GAS-OFF

# 2" Model VT-314 California Seismic Valve

## Threaded Vertical - Downward Flow

### FLOW CAPACITY TABLE IWC/PSIG - Capacity S.C.F.H.

Merit Rating: Cv 164 (Equivalent Length of Pipe is 5 Feet)

For determining approximate values at selected natural gas pressures to 60 PSIG

Pressure Drop		8" iwc Inlet	14" iwc Inlet	3 psi Inlet	5 psi Inlet	7 psi Inlet	10 psi Inlet	20 psi Inlet	60 psi Inlet
PSI	IWC								
.0036	0.1	2,828	2,848	3,071	3,240	3,400	3,628	4,300	6,310
.0072	0.2	3,998	4,027	4,342	4,581	4,808	5,130	6,081	8,923
.0108	0.3	4,896	4,931	5,318	5,610	5,889	6,283	7,447	10,928
.0144	0.4	5,653	5,693	6,140	6,478	6,799	7,254	8,599	12,619
.0180	0.5	6,320	6,365	6,864	7,242	7,601	8,110	9,614	14,108
.0216	0.6	6,922	6,971	7,518	7,932	8,326	8,883	10,531	15,454
.0252	0.7	7,476	7,529	8,120	8,567	8,992	9,594	11,374	16,692
.0288	0.8	7,991	8,048	8,680	9,158	9,612	10,256	12,158	17,844
.0324	0.9	8,475	8,535	9,205	9,712	10,194	10,877	12,895	18,925
.0360	1.0	8,932	8,996	9,702	10,237	10,745	11,465	13,592	19,949
.0720	2.0	12,617	12,707	13,707	14,464	15,183	16,202	19,212	28,205
.1080	3.0	15,434	15,545	16,770	17,698	18,580	19,829	23,518	34,536
.1440	4.0	17,800	17,928	19,345	20,417	21,436	22,879	27,142	39,869
.1800	5.0	19,877	20,020	21,606	22,806	23,946	25,561	30,330	44,564



### Vertical Valves

		Sizes Available										Ambient Temperature		
		NPT						Flanged				UL -40° to 50° F CA DSA: -10° to 150°F		
		3/4"	1"	1 1/4"	1 1/2"	2"	3"	4"	2"	3"	4"		6"	
Maximum Pressures of Available Sizes	0.5 psi	✓	✓											
	7 psi			✓	✓									
	60 psi	✓	✓	✓	✓	✓	✓	✓	✓	✓	✓	✓	✓	
													Fluid	
													Natural gas LP gas	