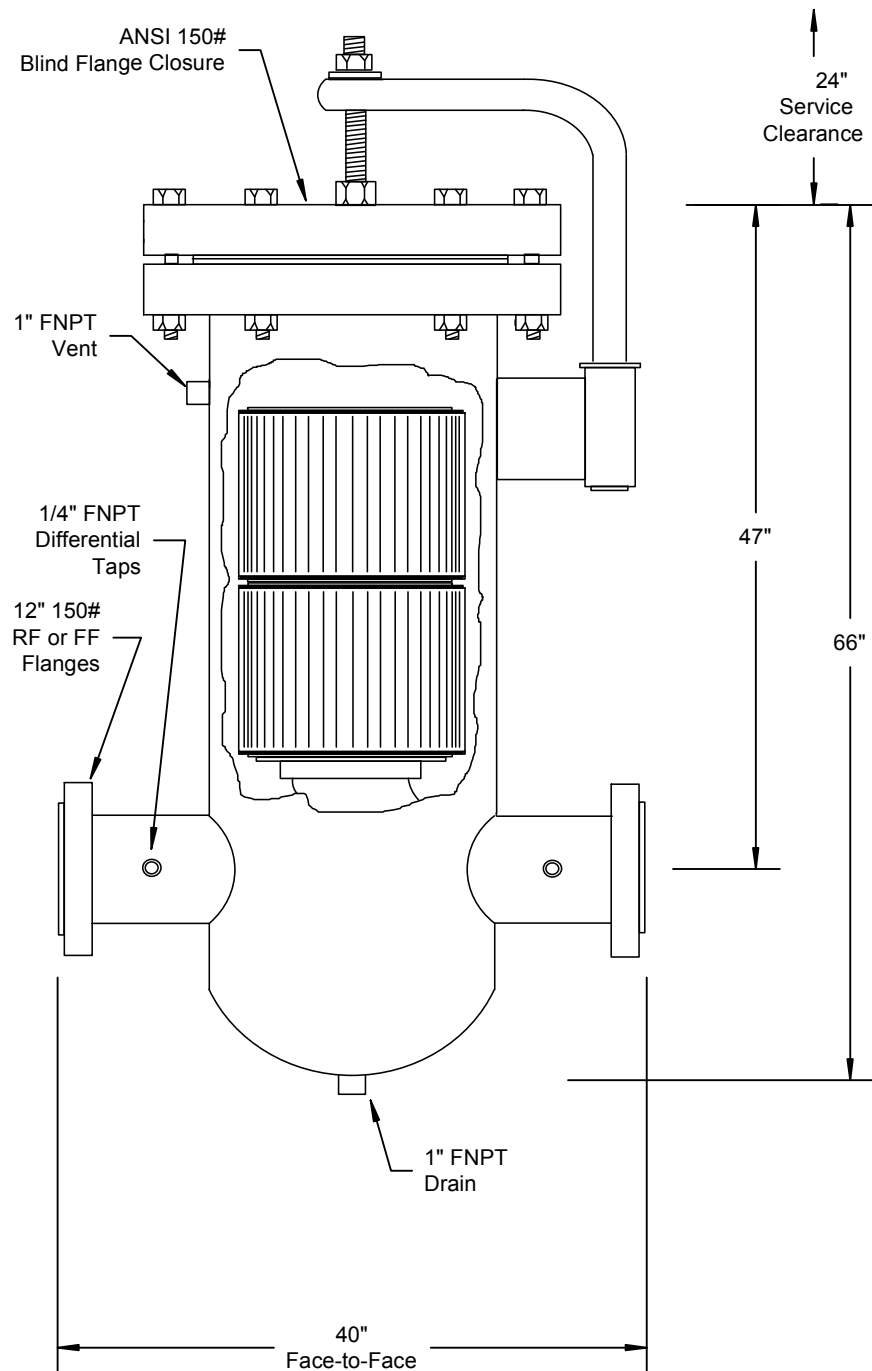


Distributed By



**Meter, Valve & Control**  
877-566-3837



NOTE- Leg supports are optional on this model.

***FilterFab***  
**MANUFACTURING CORPORATION**  
MODEL F12-285F GAS FILTER