

SUBMITTAL

Manufacturer: Itron
(formerly Actaris / Schlumberger)
Model: B31

As Specified	
Capacity Required	
Inlet /Outlet Pres.	
Overpres. Limits	

As Submitted	
Capacity	
Droop	
Build-up	

Options Designations:

N: denotes No Internal Relief

S **R:** denotes Internal Relief valve for over-pressure protection

HP: denotes High Pressure Construction

Specifications:

	Spring Color	Adj. Range
<input type="checkbox"/>	Brown	4.5 – 5.5" w.c.
<input type="checkbox"/>	Dk Green	5 – 6.5" w.c.
<input type="checkbox"/>	Gray	4 - 9" w.c.
<input checked="" type="checkbox"/> S	Light Green	5.5 - 8" w.c.
<input type="checkbox"/>	Black	7.3 – 11" w.c.
<input type="checkbox"/>	Blue	8 - 12" w.c.
<input type="checkbox"/>	Silver	11 - 16" w.c.
<input type="checkbox"/>	Red/Gray (HP)	0.75 – 1.1 PSIG
<input type="checkbox"/>	Yellow (HP)	0.9 – 1.4 PSIG
<input type="checkbox"/>	Red (HP)	1.3 – 2.0 PSIG
<input type="checkbox"/>	White (HP)	1.75 – 2.5 PSIG

	Orifice	MAOP "w.c. delivery	MAOP PSIG delivery
<input type="checkbox"/>	1/8"	125	175
<input type="checkbox"/>	3/16"	125	175
<input type="checkbox"/>	1/4"	125	125
<input type="checkbox"/>	5/16"	100	100
<input type="checkbox"/>	3/8"	65	60
<input checked="" type="checkbox"/> S	1/2"	40	40

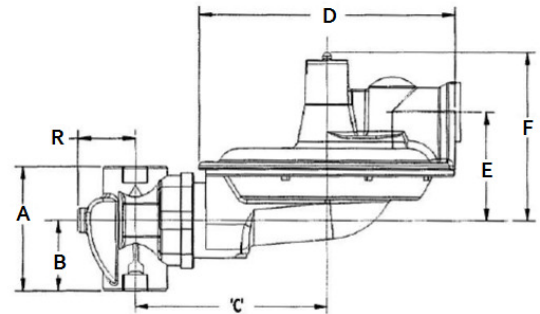
(HP)

	Connections (NPT)	
	Inlet	Outlet
<input checked="" type="checkbox"/> S	3/4"	3/4"
<input type="checkbox"/>	3/4"	1"
<input type="checkbox"/>	3/4"	1 1/4"
<input checked="" type="checkbox"/> S	1"	1"
<input type="checkbox"/>	1"	1 1/4"
<input checked="" type="checkbox"/> S	1 1/4"	1 1/4"

Assembly:

Valve Body	High Tensile Strength Cast Iron
Orifice:	Aluminum (Brass Opt.)
Valve Seat:	Buna-N
Valve Stem:	Plated Steel
Lever:	Zinc & dichromate plated steel
Upper Diaphr Plate	Zinc & dichromate plated steel
Lower Diaph. Plate	Die cast aluminum
Diaphragm	Buna N & nylon reinforcing mtl.
Diaphragm case	Die cast aluminum
Vent Screen	Stainless Steel

Dimensions:



	A	B	C	D	E	F	G	H	R
3/4" & 1"	3 3/4"	2 1/8"	5 13/16"	7 13/16"	3 1/4"	4 7/8"	4 9/16"	2 5/16"	2 1/4"
1 1/4"	4"	2 1/8"	5 13/16"	7 13/16"	3 1/4"	4 7/8"	4 9/16"	2 5/16"	2 1/4"

General Note on installation: The regulator comes with 3/4" or 1" vent with a stainless steel vent screen. On outside installations, the regulator should be oriented with the vent pointing down to keep water or ice from entering the vent. If the regulator is installed with the vent pointing up or to the side, the vent screen should be removed and an 3/4" x 1" elbow (or elbows) should be installed to position the vent correctly. If installed inside, the vent must be piped to a safe outside location in accordance with NFPA 54 recommendations and/or local codes.

Typical Capacity.

Note: Capacity will change as a function of the orifice size, inlet pressure & outlet pressure setting. The capacity tables below are for a typical configuration: a 1 1/4" Regulator, with 1/2" orifice. Smaller orifices may have less capacity, but will handle higher inlet pressures (see MAOP above). Outlet pipe size and length may also reduce flow. Consult complete brochure for capacities and relief curves of other configurations.

Capacity as a Function of Inlet Pressure & Set Point in SCFH					
Set Point	14" w.c.	1 PSIG	2 PSIG	5 PSIG	10 PSIG
7" w.c.	440	640	1120	1750	2400
11" w.c.	419	598	1045	1643	2260
14" w.c.		410	630	820	1100

Capacities expressed for 0.6 s.g. nat. gas
S- Denotes standard stock configuration

