

Distributed By



Meter, Valve & Control
877-566-3837



Dival 500
Pressure Regulators

Pressure Regulators

Dival 500

The DIVAL 500 series of spring loaded, diaphragm controlled, balanced valve design regulators are suitable for low, medium and high outlet pressure.

Dival 500 regulators are supplied with internal sensing lines and are preset for an optional connection to an external sensing line by the customer.

They are widely used in both commercial and industrial applications using Natural Gas, LPG and other non corrosive gases.

The special regulator design combined with a balanced valve results in:

- high flow rate coefficient,
- high accuracy, even at maximum flow rates,
- reduced lock up pressure zone and lock up pressure,
- reduced response times, - no internal leakage at zero flow rate,
- fail to open type,
- periodic maintenance without disassembling the body from the pipework,
- ability to retrofit the LA slam-shut OPSO/UPS0, without modifying the existing piping.

HIGH PERFORMANCE

- Balanced valve design provides increased capacity, high 500:1 turndown and table regulation from low to high flow.
- Complete lockup in absence of gas flow, bubble tight shut-off.
- Balanced Valve Design allows the regulator inlet pressure to change but the regulators outlet pressure holds setpoint.



INSTALLATION SAVINGS

- Integral sensing line and optional external sensing line
- No need to change the orifice
- Mounting holes



**DESIGNED
WITH YOUR
NEEDS IN MIND**

**- COMPACT DESIGN
- EASY MAINTENANCE
- BALANCED DESIGN
- FAST RESPONSE TIME**

**- HIGH TURN DOWN RATIO
- HIGH ACCURACY
- FIXED ORIFICE
- WIDE RANGE OF APPLICATIONS**

MAIN FEATURES**Dival 500**

Available sizes: 1"x1" ISO 7/1; 1"x1 1/2" ISO 7/1 (NPT on demand)
Others sizes available with connections, flanges and accessories

Optional: Incorporated shut-off device

Temperature class: -4 to + 140°F (-20°C - + 60°C)

Model	Inlet pressure range	Outlet pressure range	Maximum inlet
BP	7.2 PSIG - 145 PSIG	6" W.C. - 1.45 PSIG	232 PSIG
MP	7.2 PSIG - 290 PSIG	1.45 PSIG - 4.35 PSIG	290 PSIG
TR	7.2 PSIG - 290 PSIG	4.35 PSIG - 36.26 PSIG	290 PSIG

MATERIALS**Dival 500**

Body	Ductile iron (steel available on request)
Covers	Die Cast Aluminum
Rubber parts	NBR
Diaphragm	Cloth rubber

DIVAL 500 1" WITH INTERNAL SENSING LINE

Pd: 6" w.c. -1.45 PSIG BP Flow rate stmc/h G.N.				Pd: 1.45-4.35 PSIG MP Flow rate stmc/h G.N.				Pd: 4.35-14.50 PSIG MP Flow rate stmc/h G.N.				Pd: 14.50-43.51 PSIG BP Flow rate stmc/h G.N.			
Pu bar	AC5	AC10	AC20	Pu bar	AC5	AC10	AC20	Pu bar	AC5	AC10	AC20	Pu bar	AC5	AC10	AC20
Pd +0.5 bar	75	95	105	Pd +0.5 bar	110	130	140	Pd +0.5 bar	50	80	100	Pd +0.5 bar	100	160	200
Pd +1 bar	75	125	140	Pd +1 bar	150	180	200	Pd +1 bar	75	130	150	Pd +1 bar	150	270	300
Pd +2.5 bar	100	125	140	Pd +2.5 bar	250	300	300	Pd +2.5 bar	120	200	250	Pd +2.5 bar	300	480	500
Pd +5.0 bar	90	140	160	Pd +5.0 bar	300	300	300	Pd +5.0 bar	130	350	350	Pd +5.0 bar	350	350	350

DIVAL 500 1" WITH EXTERNAL SENSING LINE ACTIVE

Pd: 6" w.c. -1.45 PSIG BP Flow rate stmc/h G.N.				Pd: 4.35-14.50 PSIG MP Flow rate stmc/h G.N.				Pd: 14.50-43.51 PSIG BP Flow rate stmc/h G.N.			
Pu bar	AC5	AC10	AC20	Pu bar	AC5	AC10	AC20	Pu bar	AC5	AC10	AC20
Pd +0.5 bar	50	75	100	Pd +0.5 bar	50	80	100	Pd +0.5 bar	100	160	200
Pd +1 bar	75	140	150	Pd +1 bar	75	130	150	Pd +1 bar	150	270	300
Pd +2.5 bar	120	205	240	Pd +2.5 bar	120	200	250	Pd +2.5 bar	300	480	500
Pd +5.0 bar	140	250	300	Pd +5.0 bar	130	350	350	Pd +5.0 bar	350	350	350

DIVAL 500 1 1/2" WITH INTERNAL SENSING LINE

Pd: 6" w.c. -1.45 PSIG BP Flow rate stmc/h G.N.				Pd: 1.45-4.35 PSIG MP Flow rate stmc/h G.N.				Pd: 4.35-14.50 PSIG MP Flow rate stmc/h G.N.				Pd: 14.50-43.51 PSIG BP Flow rate stmc/h G.N.			
Pu bar	AC5	AC10	AC20	Pu bar	AC5	AC10	AC20	Pu bar	AC5	AC10	AC20	Pu bar	AC5	AC10	AC20
Pd +0.5 bar	75	100	110	Pd +0.5 bar	120	150	170	Pd +0.5 bar	60	90	110	Pd +0.5 bar	110	160	200
Pd +1 bar	160	180	200	Pd +1 bar	170	250	280	Pd +1 bar	75	140	160	Pd +1 bar	180	350	400
Pd +2.5 bar	140	200	200	Pd +2.5 bar	250	380	400	Pd +2.5 bar	160	250	280	Pd +2.5 bar	320	500	500
Pd +5.0 bar	130	160	180	Pd +5.0 bar	300	400	450	Pd +5.0 bar	350	450	500	Pd +5.0 bar	350	500	500

DIVAL 500 1 1/2" WITH EXTERNAL SENSING LINE ACTIVE

Pd:15-100mbar BP Flow rate stmc/h G.N.				Pd:100-300mbar MP Flow rate stmc/h G.N.				Pd:300-1000mbar MP Flow rate stmc/h G.N.				Pd:1000-3000mbar BP Flow rate stmc/h G.N.			
Pu bar	AC5	AC10	AC20	Pu bar	AC5	AC10	AC20	Pu bar	AC5	AC10	AC20	Pu bar	AC5	AC10	AC20
Pd +0.5 bar	70	110	115	Pd +0.5 bar	100	160	180	Pd +0.5 bar	60	90	110	Pd +0.5 bar	110	160	200
Pd +1 bar	160	170	150	Pd +1 bar	160	240	280	Pd +1 bar	75	140	160	Pd +1 bar	180	350	400
Pd +2.5 bar	300	350	350	Pd +2.5 bar	500	500	500	Pd +2.5 bar	160	250	280	Pd +2.5 bar	320	500	500
Pd +5.0 bar	200	250	300	Pd +5.0 bar	500	500	500	Pd +5.0 bar	350	450	500	Pd +5.0 bar	350	500	500

LPG flow rate:

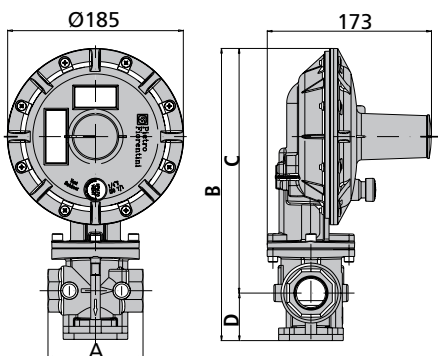
- multiply the value in the table x 1.2

Azote flow rate:

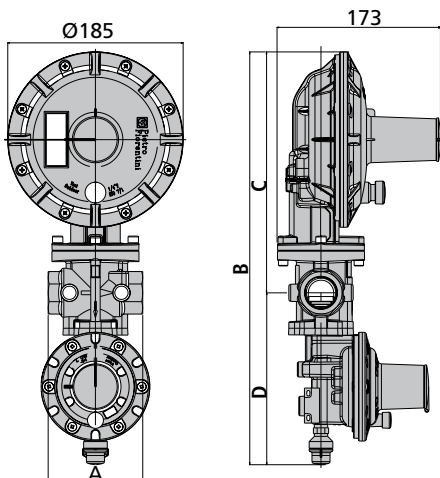
- multiply the value in the table x 0.789

LEGEND:

- Pd: Outlet pressure
- Pu: Inlet pressure
- Ac: Accuracy



Dival 500		
	Dival 500 1"x1"	Dival 500 1"x1 1/2"
A	3.9	5.1
B	11.8	12.1
C	10.0	10.1
D	1.7	2.0
DnE	1" ISO 7/1	1" ISO 7/1
DnU	1" ISO 7/1	1 1/2" ISO 7/1



Dival 500 + LA		
	Dival 500+LA 1"x1"	Dival 500+LA 1"x1 1/2"
A	3.9	5.1
B	17.2	17.5
C	10.0	10.1
D	7.2	7.4
DnE	1" ISO 7/1	1" ISO 7/1
DnU	1" ISO 7/1	1 1/2" ISO 7/1

Overall dimensions in inches

LA INCORPORATED SHUT-OFF DEVICE Dival 500

This is an optional device which immediately stops gas flow whenever downstream pressure exceeds given set-point.

The device operates in the following cases:

- Over pressure - in case the monitoring pressure exceeds the set point of the regulator.
- Under pressure - in case the monitoring pressure goes below the set point of regulator limits (Set point is field adjustable).

**LA type**

Design pressure PS: 290 PSIG (20 bar)



Governors



Relief Valves



Pressure Regulators



**Pietro
Fiorentini**

Fiorentini USA
4555 South Berkeley Lake Road
Norcross, GA 30071

Toll - Free: 888.618.8787
Fax: 770.448.7312

www.fioussa.com

Pietro Fiorentini S.p.A.
via E.Fermi 8/10
I-36057 Arcugnano (VI) Italy

Tel: +39 0444 968.511
Fax: +39 0444 960.468

www.fiorentini.com

This data is not binding. We reserve the right to make changes without prior notice.

CT-DV500 April 2013