

Direct acting pressure regulator

Norval



Norval pressure regulators are direct acting devices for low and medium pressure applications, controlled by a diaphragm and a counter spring.

Scan this QR code with your mobile to get more info!



MAIN FEATURES:

- **Low to Medium Pressure Outlet**
- **Direct Spring Operated**
- **Normally “Fail Open”**
- **Sizes: 2”, 3”, 4”, 6”, 8”**
- **Body Materials: Ductile Iron**
- **Ratings: ANSI 150**
- **Connections: RF**
- **Maximum Inlet Pressure:**
232 PSIG for sizes 1” to 3”
116 PSIG for 4” to 8”
- **Minimum Pressure Drop 1 PSIG**
- **Outlet Pressure: 3” w.c. to 65 PSIG** (depending on head size)
- **500 to 1 Turndown**
- **Flow Coefficient (Nat. gas): Cg range 331 to 16,630**
- **Pilot operated accuracy without the pilot**

Distributed By
MVC
Meter, Valve & Control
877-566-3837

OPTIONS:

- **IN – Integral Slam-Shut valve**
- **Inline Monitor construction available**

**DESIGNED
WITH YOUR
NEEDS IN MIND**

- **COMPACT DESIGN**
- **HIGH TURN-DOWN RATIO**
- **EASY MAINTENANCE**
- **HIGH ACCURACY**
- **TOP ENTRY**
- **LOW OPERATION COSTS**
- **FAST RESPONSE TIME**
- **WIDE RANGE OF APPLICATIONS**

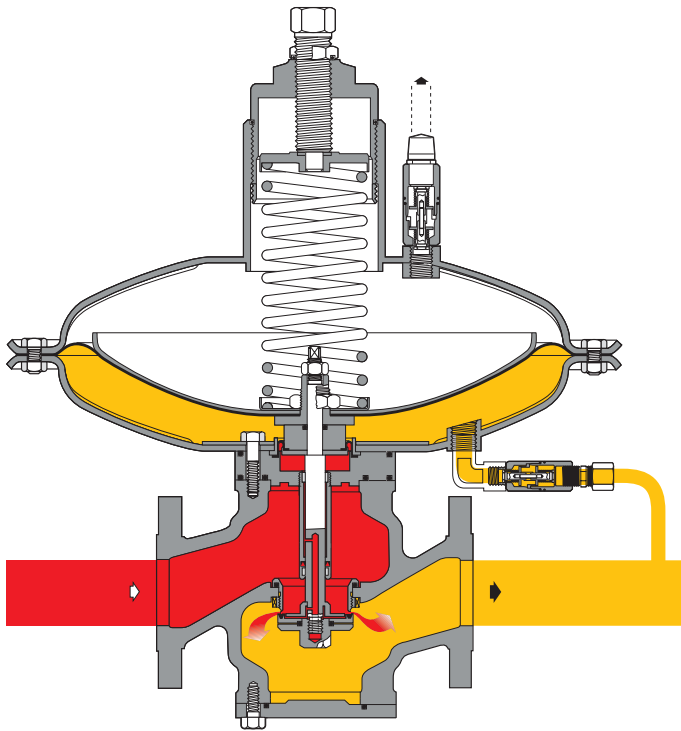


Fiorentini USA
4555 South Berkeley Lake Road
Norcross, GA 30071
Toll - Free: 888.618.8787
Fax: 770.448.7312
www.fioussa.com

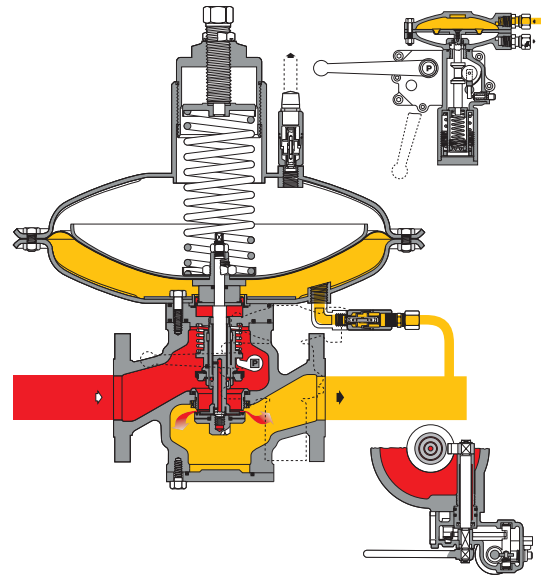
Pietro Fiorentini S.p.A.
via E.Fermi 8/10
I-36057 Arcugnano (VI) Italy
Tel: +39 0444 968.511
Fax: +39 0444 960.468
www.fiorentini.com

Direct Acting Pressure Regulator

Norval



Standard Version



SN Slam-Shut Version



Norval Pressure Regulators in action



Florentini USA **Toll - Free: 888.618.8787** Fax: 770.448.7312 www.fiousa.com

Pietro Fiorentini **Tel: +39 0444 968.511** Fax: +39 0444 960.468 www.fiorentini.com

| sales@mvandc.com | Phone: 877.566.3837 | Fax: 925.407.2903