

Direct acting pressure regulator

Trias



Trias pressure regulators are direct acting devices for low and medium pressure applications, controlled by a diaphragm and a counter spring.

Scan this QR code with your mobile to get more info!



MAIN FEATURES:

- **Self-actuated spring-controlled regulator**
- Design Pressure: **274 PSIG**
- Inlet Pressure range: **3 to 261 PSIG**
- Outlet Pressure range: **6" w.c. to 58 PSIG**
- Flow Coefficients (Nat. gas): **Cg 556 – 590**
- Sizes: **1 1/2" & 2"**
- **Balanced Valve Design**
- External Sensing Line **1/2" NPT**
- **Removal of valve body not required for maintenance**
- Connections: **FF & RF**
- Ductile Iron Body
- Three control heads available: f 195; f 275/BP; f 275/MP

OPTIONS:

- Slam-Shut Valve

Distributed By



Meter, Valve & Control
877-566-3837

**DESIGNED
WITH YOUR
NEEDS IN MIND**

- COMPACT DESIGN
- HIGH TURN-DOWN RATIO
- EASY MAINTENANCE
- HIGH ACCURACY
- TOP ENTRY
- LOW OPERATION COSTS
- FAST RESPONSE TIME
- WIDE RANGE OF APPLICATIONS

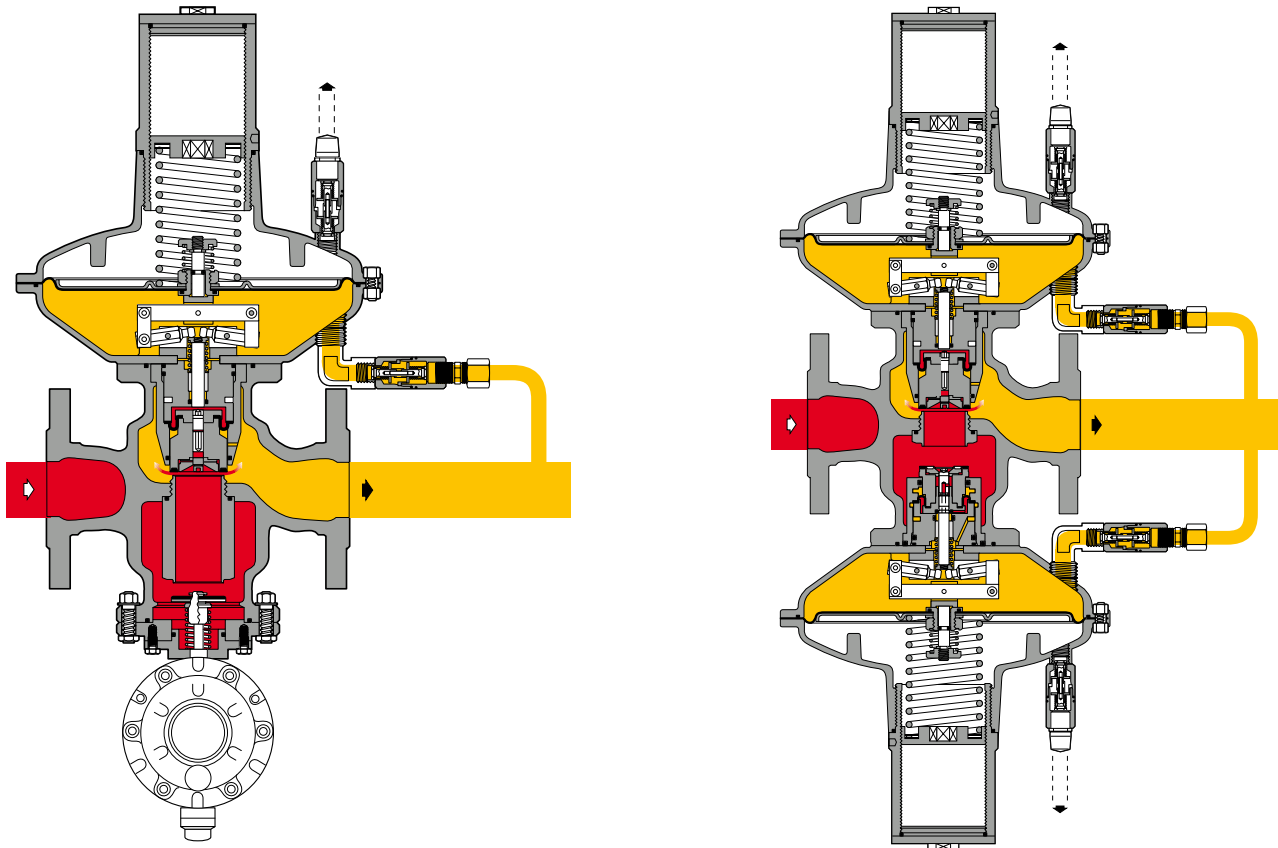


Fiorentini USA
4555 South Berkeley Lake Road
Norcross, GA 30071
Toll - Free: 888.618.8787
Fax: 770.448.7312
www.fioussa.com

Pietro Fiorentini S.p.A.
via E.Fermi 8/10
I-36057 Arcugnano (VI) Italy
Tel: +39 0444 968.511
Fax: +39 0444 960.468
www.fiorentini.com

Direct Acting Pressure Regulator

Trias



Trias Pressure Regulators in action



Florentini USA **Toll - Free: 888.618.8787** Fax: 770.448.7312 www.fiousa.com

Pietro Fiorentini **Tel: +39 0444 968.511** Fax: +39 0444 960.468 www.fiorentini.com