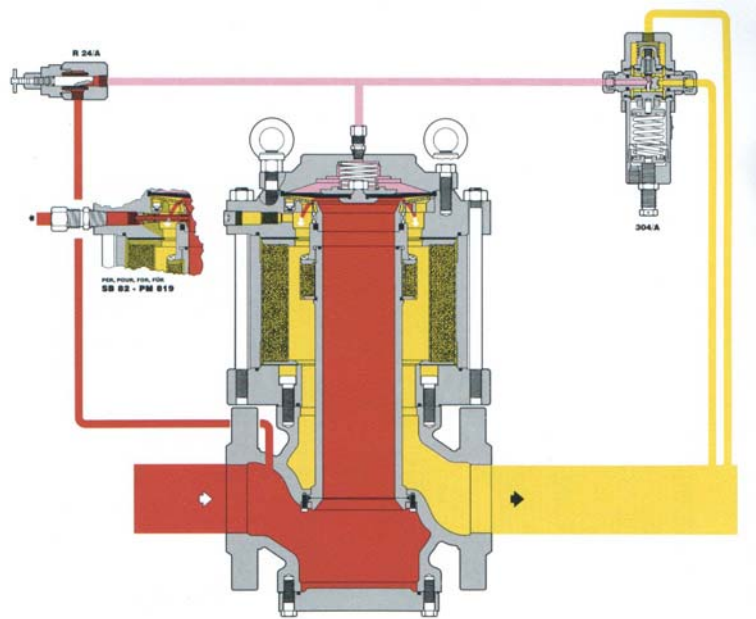


APERFLUX 851



- *Pilot Operated – Medium to High Pressure Outlet*
- *“Fail open” type*
- *Sizes: 1”, 2”, 3”, 4”, 6”, 8”, 10”*
- *Body Materials: Ductile Iron and Cast Steel*
- *Ratings: 125, 150, 300, and 600*
- *Connections: FF, RF, and RTJ*
- *Maximum Inlet Pressure: 1160 psig*
- *Outlet Pressure: 12 to 942 psig*
- *Minimum Pressure Drop: 7.25 psig*
- *Lockup Pressure: 2.5% of set point*
- *Flow Coefficient (Nat. Gas): Kg Range 593 to 32,250*
- *Maximum Capacity: 19,500 to 46,400,000 SCFH*

OPTIONS:

- *SB 82 – Integral Slam Shut Valve*
- *Integral Pilot Operated “Fail to Close” Monitor*
- *DB 851 - Integral Silencer*
- *Remote Operation*

