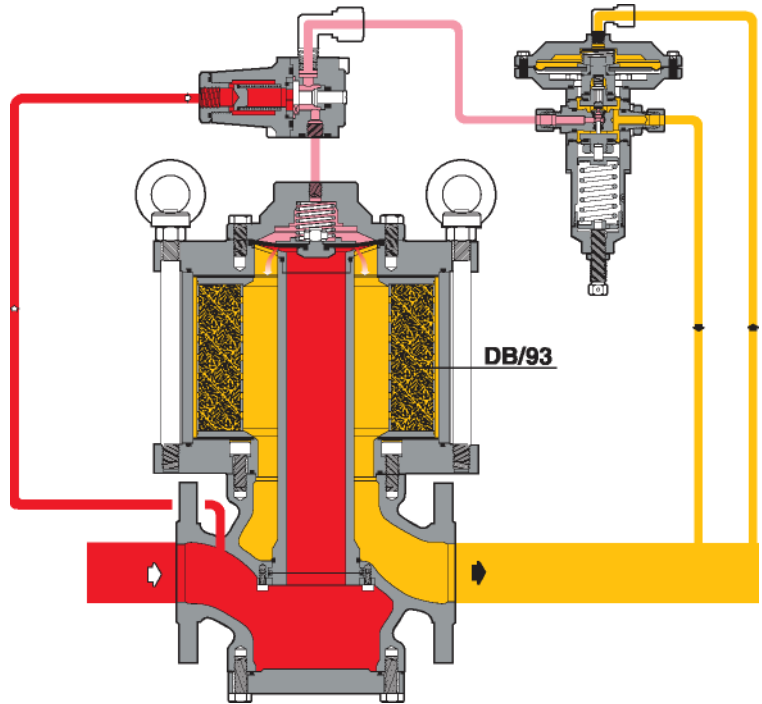


# APERVAL



7



- Pilot Operated – Low to High Pressure Outlet
- “Fail Open” Type
- Sizes: 1”, 1 ½”, 2”, 3”, 4”
- Body Materials: Ductile Iron And Cast Steel
- Ratings: ANSI 125, 150
- Connections: FF and RF
- Maximum Inlet Pressure: 275 Psig
- Outlet Pressure: 8” w.c. to 138 psig

- Flow Coefficient (Nat. Gas): Kg Range 613 to 7053

**OPTIONS:**

- SB 93 – Integral Slam-Shut Valve
- PM 182 – Integral Pilot Operated “Fail to Close” Monitor
- DB 93 – Integral Silencer

Distributed By



**Meter, Valve & Control**  
877-566-3837