



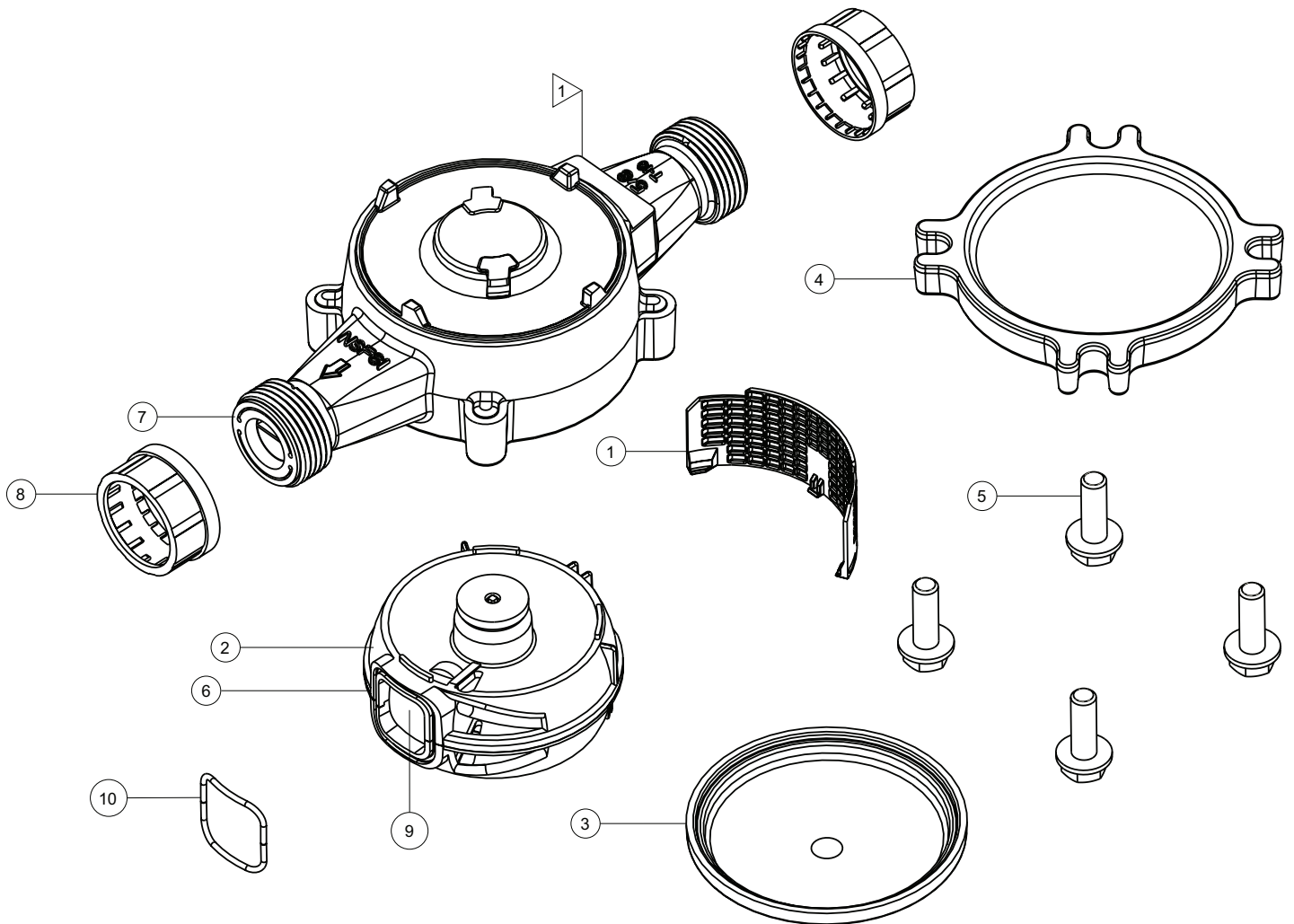
ARB® UTILITY MANAGEMENT SYSTEMS™

## T-10 Parts List



Distributed By  
**MVC**  
Meter, Valve & Control  
877-566-3837

T-10 PARTS LIST



**T-10 PRODUCED JULY 2011 AND BEYOND**

- \* T-10 has serial number pad on the inlet side
- \* Date code is cast on the bottom of the inlet and outlet port

ITEM NO.	DESCRIPTION	PART NUMBER
		5/8", 5/16" X 3/4"
	Register	
1	Strainer	9399-006
2	Chamber complete <sup>1</sup>	9400-900
3	Gasket/Liner, Bottom Cap <sup>2</sup>	8340-072
4	Bottom Cap, Plastic <sup>3</sup>	9397-503
	Bronze <sup>4</sup>	9397-124
	Cast Iron <sup>5</sup>	9397-012
5	Bolt and Washer	
	SST-302 (w/washer)	8353-106
	SST-316 (w/washer)	8353-105
6	Thrust Roller	81-500
7	Spud Plug	1787-101
8	Spud Cap Plastic	1788-008
9	Diaphragm	9391-001
10	O-Ring	9386-004

#### T-10 PRODUCED JULY 2011 AND BEYOND

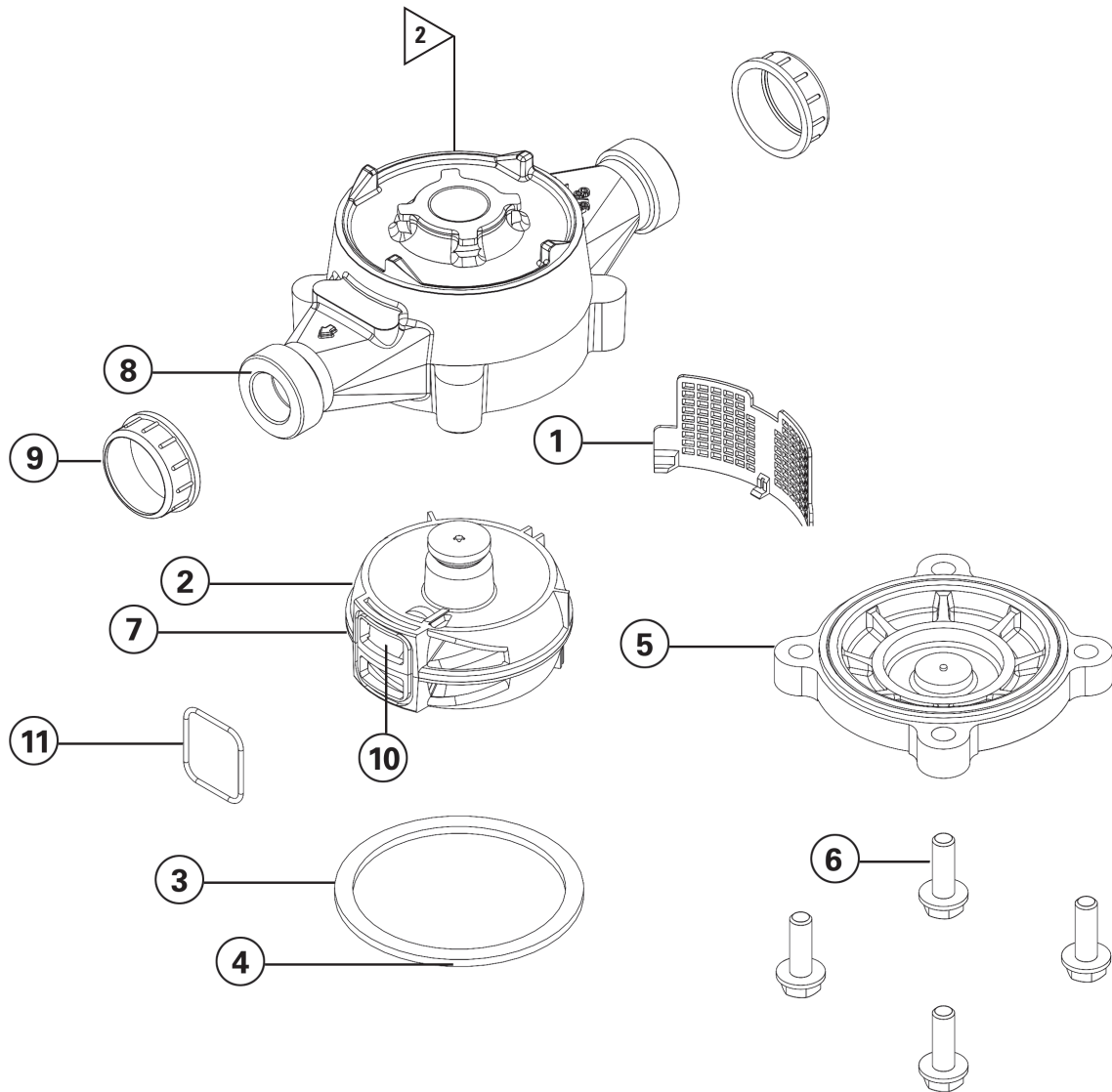
<sup>1</sup> Chamber has fully open outlet port (see picture on page 2)

<sup>2</sup> Liner/gasket is white in color

<sup>3</sup> Plastic bottom cap has a raised Neptune logo

<sup>4</sup> Bronze bottom cap has a raised Neptune logo

<sup>5</sup> Cast iron bottom cap has a recessed Neptune logo



**T-10 PRODUCED PRIOR TO JULY 2011**

- \* T-10 has serial number pad on the outlet side
- \* Date code is cast on the bayonet area under the register

ITEM NO.	DESCRIPTION	PART NUMBER		
		5/8" , 5/8" X 3/4" *	3/4"	1"
	Register			
1	Strainer	9399-005	9831-001	9381-002
2	Chamber Complete <sup>1</sup>	9400-605	9826-200	9826-300
3	Gasket, Bottom Cap <sup>2</sup>	8340-028	8340-034	8340-038
4	Liner, Bottom Cap <sup>3</sup>	9398-001	9832-001	9841-001
5	Bottom Cap, Plastic <sup>4</sup>	9397-501		
	Bronze <sup>5</sup>	9397-023	9833-024	9842-024
	Cast Iron <sup>6</sup>	9397-010	9833-010	9842-010
6	Bolt and Washer			
	SST-302 (w/washer)	8353-106	8353-106	8353-106
	SST-316 (w/washer)	8353-105	8353-105	8353-105
7	Thrust Roller	81-500	81-500	190-500
8	Spud Plug	1787-101	1787-101	1787-102
9	Spud Cap Plastic	1788-008	1789-008	1790-007
10	Diaphragm	9391-001	9829-001	9840-001
11	O-Ring	9386-001	9386-002	9386-003

**\* T-10 PRODUCED PRIOR TO JULY 2011**

<sup>1</sup> Chamber is jointed in the middle of the outlet port (see picture on page 4)

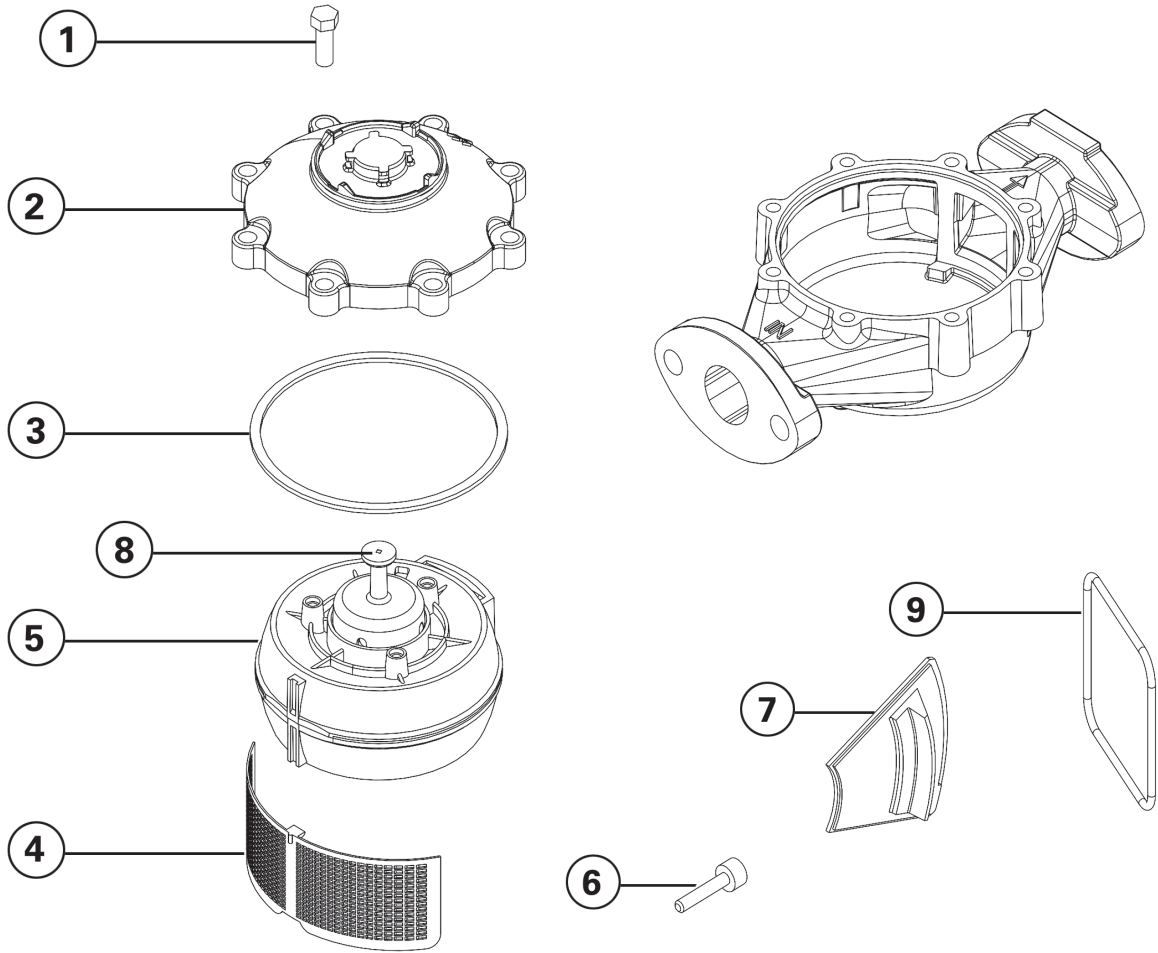
<sup>2</sup> T-10 uses black gasket

<sup>3</sup> Not required with SP or bronze bottom caps

<sup>4</sup> T-10 plastic bottom cap has a Trident logo raised on the center

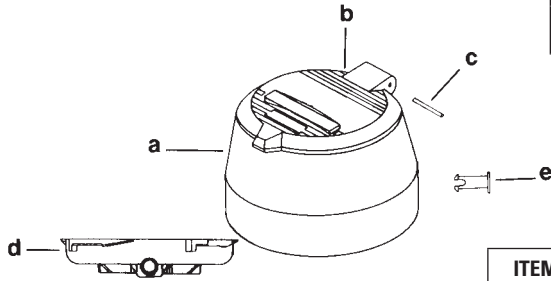
<sup>5</sup> T-10 bronze bottom cap has a recessed Neptune logo or no logo visible

<sup>6</sup> T-10 cast iron bottom cap has no logo



ITEM NO.	DESCRIPTION	PART NUMBER	
		SP CHAMBER	
		1 1/2"	2"
1	Bolts	8307-051	8307-051
2	Cover, Maincase	9082-002	9080-002
3	Gasket, Maincase	9083-001	9083-002
4	Strainer	9084-001	9084-002
5	Chamber Complete	9098-600	9098-610
6	Thrust Roller	9850-100	9850-100
7	Diaphragm	9086-101	9086-102
8	Control Block Assembly	9097-000	9097-010
9	O-Ring	8316-607	8316-606

REGISTRATION	5/8"	3/4"	1"	1 1/2"	2"
Cu. Ft.	9107-012	9107-022	9107-032	9107-042	9107-052
Gal.	9107-011	9107-021	9107-031	9107-041	9107-051
M <sup>3</sup>	9107-013	9107-023	9107-033	9107-043	9107-053



ITEM NO.	GOLD DESCRIPTION	BRONZE	PLASTIC	COLOR
	Register Box Assembled	9131-100	9131-000	
a	Register Box (Brz Box & Lid only)	9133-202	9133-001	
b	Register Cover	N/A	9132-001	
c	Hinge Pin, Register	N/A	8350-007	
d	Retainer Ring	9105-001	9105-001	
	Seal Pin, D/R Register, ProRead Register	9106-002	9106-001	9106-002
e	Seal Pin, High Profile Reg Box		9309-501	
	Screw, Seal Wire Register	8460-011		
	Seal Pin, Old Direct Read	9309-501		

SIZE	REGISTRATION	DIRECT READ	PROREAD* INSIDE 4-WHEEL ENCODER	PROREAD* INSIDE 6-WHEEL ENCODER	PROREAD* PIT 4-WHEEL ENCODER	PROREAD* PIT 6-WHEEL ENCODER	E-CODER INSIDE	E-CODER PIT	R900/ INSIDE	R900/ PIT
5/8"	Cu. Ft.	R82F11	R62F11	R62F12	R72F11	R72F12	RE2F11	RH2F11	RD2F11	RW2F11
	Gal.	R82G11	R62G11	R62G12	R72G11	R72G12	RE2G11	RH2G11	RD2G11	RW2G11
	m <sup>3</sup>	R82M11	R62M11	R82M12	R72M11	R72M12	RE2M11	RH2M11	RD2M11	R22M11
3/4"	Cu. Ft.	R82F21	R62F21	R62F22	R72F21	R72F22	RE2F21	RH2F21	RD2F21	RW2F21
	Gal.	R82G21	R62G21	R62G22	R72G21	R72G22	RE2G21	RH2G21	RD2G21	RW2G21
	m <sup>3</sup>	R82M21	R62M21	R62M22	R72M21	R72M22	RE2M21	RH2M21	RD2M21	RW2M21
1"	Cu. Ft.	R82F31	R62F31	R62F32	R72F31	R72F32	RE2F31	RH2F31	RD2F31	RW2F31
	Gal.	R82G31	R62G31	R62G32	R72G31	R72G32	RE2G31	RH2G31	RD2G31	RW2G31
	m <sup>3</sup>	R82M31	R62M31	R62M32	R72M31	R72M32	RE2M31	RH2M31	RD2M31	RW2M31
1 1/2"	Cu. Ft.	R82F42	R62F41	R62F42	R72F41	R72F42	RE2F41	RH2F41	RD2F41	RW2F41
	Gal.	R82G42	R62G41	R62G42	R72G41	R72G42	RE2G41	RH2G41	RD2G41	RW2G41
	m <sup>3</sup>	R82M42	R62M41	R62M42	R72M41	R72M42	RE2M41	RH2M41	RD2M41	RW2M41
2"	Cu. Ft.	R82F52	R62F51	R62F52	R72F51	R72F52	RE2F51	RH2F51	RD2F51	RW2F51
	Gal.	R82G52	R62G51	R62G52	R72G51	R72G52	RE2G51	RH2G51	RD2G51	RW2G51
	m <sup>3</sup>	R82M52	R62M51	R62M52	R72M51	R72M52	RE2M51	RH2M51	RD2M51	RW2M51

\* Registers do not include ARB®V remote receptacles. When ordering 1" registers for 10 Cu.Ft. registration, add SA68.

**Neptune Technology Group Inc.**

1600 Alabama Highway 229  
Tallahassee, AL 36078  
USA  
Tel: (800) 645-1892  
Fax: (334) 283-7293

**Neptune Technology Group (Canada) Ltd.**

7275 West Credit Avenue  
Mississauga, Ontario  
L5N 5M9  
Canada  
Tel: (905) 858-4211  
Fax: (905) 858-0428

**Neptune Technology Group Inc.**

Ejército Nacional No. 418  
Piso 12, Desp. 1201-1202  
Col. Chapultepec Morales  
Delegación Miguel Hidalgo  
11570 México, Distrito Federal  
Tel: (525) 55203 5294 / (525) 55203 5708  
Fax: (525) 55203 6503



**NEPTUNE**  
TECHNOLOGY GROUP

[neptunetg.com](http://neptunetg.com)