



Flexible Axis Meter

Our Flexible Axis Meters can get you out of a tight squeeze.



The next time you're faced with a challenging residential installation, check out the Master Meter flexible axis meter (FAM). FAM flow tubes can be installed horizontally, vertically, or any angle in between. No matter where it ends up, the FAM measuring chamber remains horizontal for accurate -- and quiet -- operation. It can also be positioned so it is always facing up for easy reading.

To further simplify installation and reduce costs, FAM flow tubes can use standard meter couplings or solder-joint connections. And all Master Meter flexible axis meters are AMR compatible.

FEATURES & BENEFITS

- Install At Any Angle
- Choice of Connectors
- Eliminates Expensive Copper Setters
- Meets All AWWA Standards; NSF Certified
- Accurate (and Quiet) By Design
- Electronic Reading Compatible
- Compatible with State-of-the Art Reading Systems.



TECHNICAL SPECIFICATIONS:

Install At Any Angle Installation of Flow Tube possible in any position while allowing horizontal positioning of measuring element for maximum accuracy and meter life. To further simplify installation, the Flexible Axis Meter Flow Tube can be installed either with threaded or solder-joint connections. For Submetering application this eliminates the need for meter couplings, further reducing installation cost.

FAM also eliminates the need to install jumper tubes in submetering applications during construction or major renovation. The FAM Flow Tube supplied with a plug that allows water flow through the line for flushing and system pressure testing. When it is time for meter installation, just unscrew the plug and replace with the measuring element.

FAM Flow Tube poured from EnviroBrass IITM to exceed the AWWA copper-content specification, plus the low lead requirements of NSF-61 and California Proposition 65.

Electronic Reading Compatible Electrical output register or DIALOG register interfaces to all of Master Meter's reading systems DIALOG on site reading, RF-LINX, T-Linx, DIALOG 3G and most competitive FRF AMR Systems. Optional Electrical Output register or DIALOG register supplied in the Flexible Axis Meter for users who wish to read manually at present and convert to electronic reading in the future.

Distributed By

Meter, Valve & Control
877-566-3837

See reverse side for more specifications »

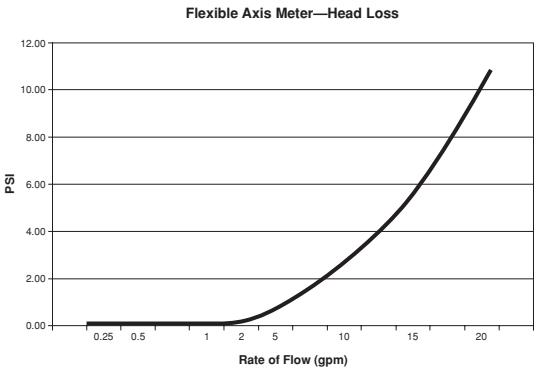
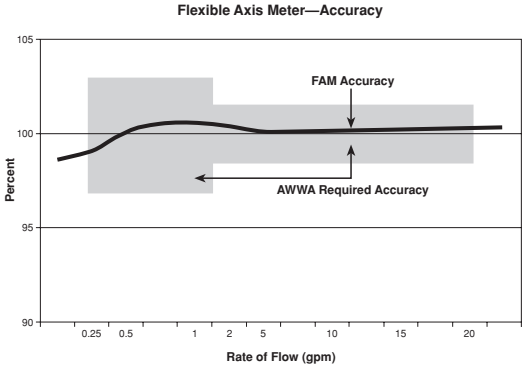
Flexible Axis Meter

PERFORMANCE AND MATERIALS

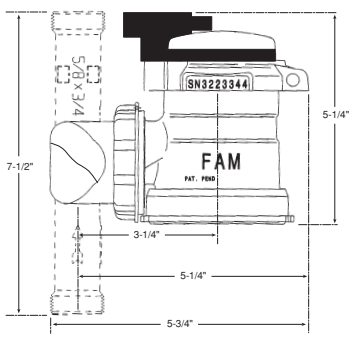
CHARACTERISTIC	Flexible Axis Meter 5/8" X 3/4"	AWWA C-708 5/8" X 3/4"
Operating Capacity	20 gpm	20 gpm
Maximum Rate for Continuous Duty	15 gpm	10 gpm
Maximum Pressure Loss at Maximum Flow	10.9 psi	15 psi
Normal Flow Range (± 1-1 /2%)	1 - 20 gpm	1 - 20 gpm
Minimum Flow(± 3%)	1/4 gpm	1/4 gpm
Maximum Working Pressure	150 psi	150 psi
Maximum Working Temperature	120° F	105° F
Meter Casing Spuds, Nominal Thread Size	1"	1"
Nominal Pipe Size	3/4"	3/4"
Weight (lbs)	2.45	Not specified
Packed To Carton	6	
Carton Weight (lbs)	16.85	

Materials:	Flexible Axis Meter 5/8" X 3/4"	AWWA C-708 5/8" X 3/4"
Main Case	SeBiLOY II, 86% copper	Copper alloy, minimum 75% copper
Measuring Chamber	Glass-reinforced Nylon	85% copper or engineered plastic
Register Construction	Glass lens, stainless steel case, rubber gasket	Not specified

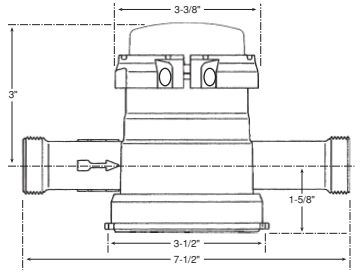
Accuracy & Head Loss Curves



Vertical Installation



Horizontal Installation



Distributed by:

©2006 Master Meter, Inc. All rights reserved. DIALOG and Master Meter are registered trademarks of Master Meter, Inc. Master Meter reserves the right to make modifications to the products described herein at any time and without notice. U.S. Patent No. 6,819,292, Patent No. 6,954,178. Others pending. EnviroBrass® is a registered trademark of ASARCO.

MMDS MJFAM Rev11/01/06