



ARB® UTILITY MANAGEMENT SYSTEMS™

## High Performance (HP) Turbine Parts List

Distributed By  
**MVC**  
Meter, Valve & Control  
877-566-3837



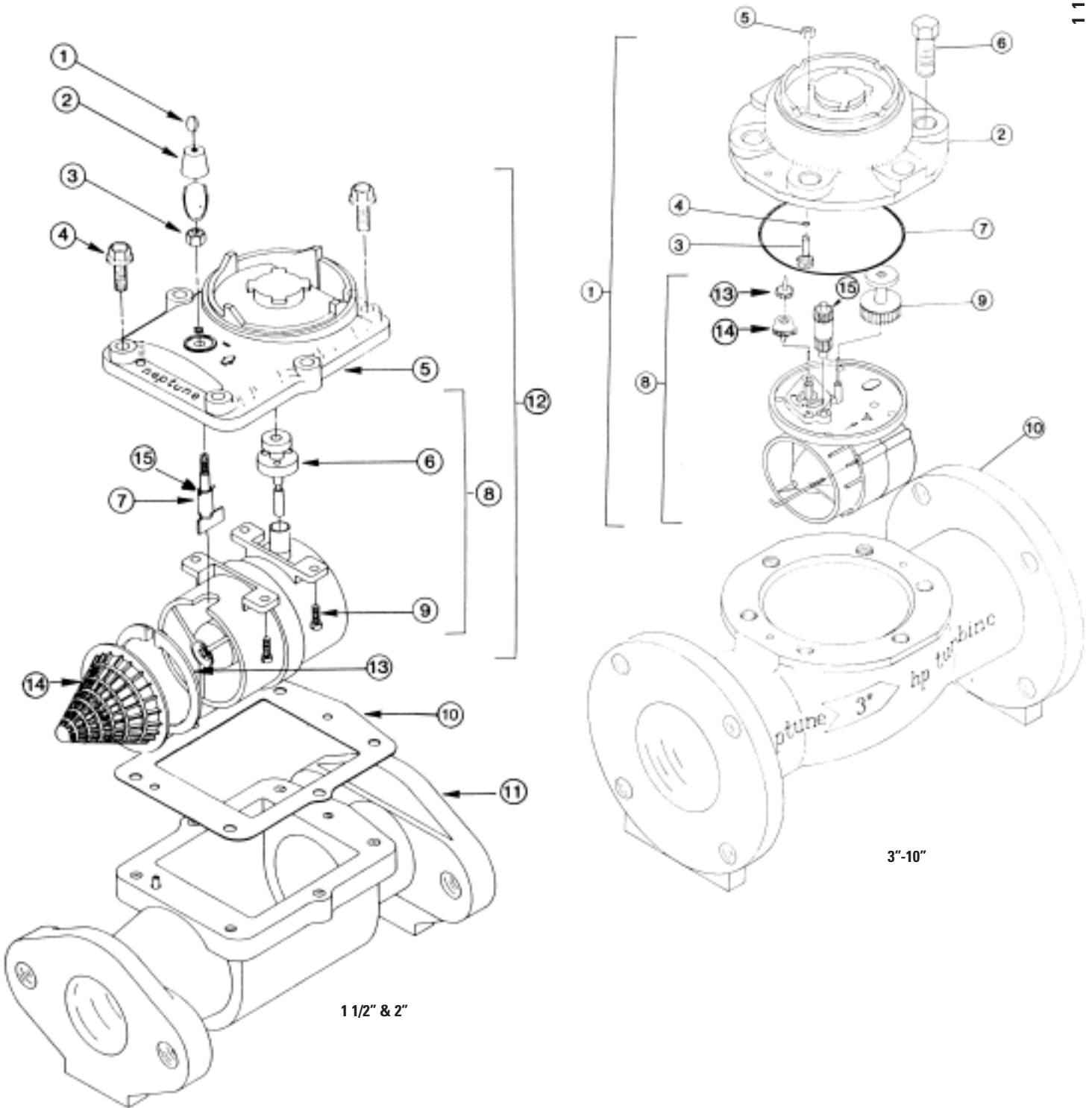
HIGH PERFORMANCE (HP) TURBINE PARTS LIST

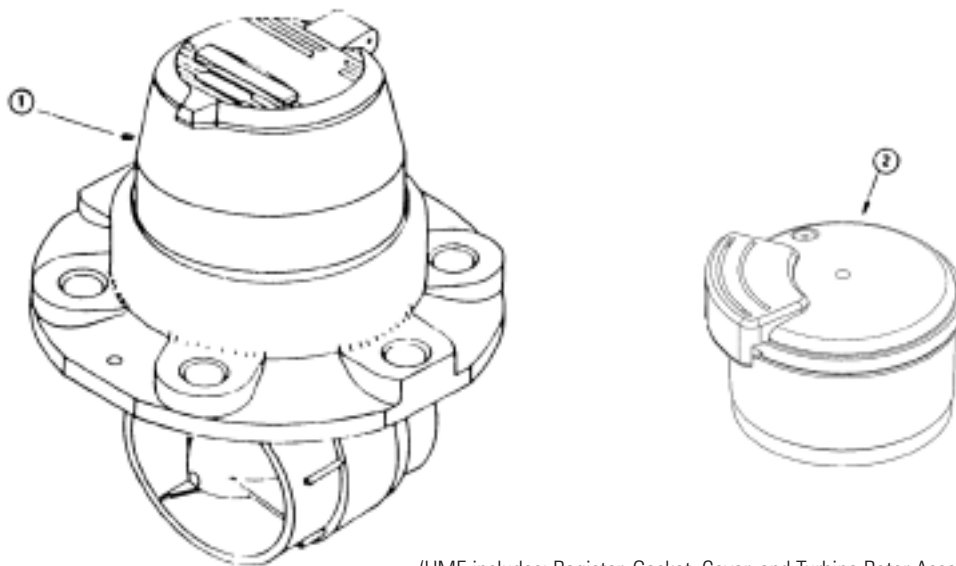
**1 1/2" & 2"**

ITEM	DESCRIPTION	METER SIZE & PART NUMBERS	
		1 1/2" HP	2" HP
1	16" Seal Wire with Lead Seal	41110-501	41110-501
2	Seal Cap	11098-001	11098-001
3	Calibration Nut	8545-417	8545-417
4	Maincase Bolts (Qty)	N/A	N/A
5	Cover	9860-002	9860-002
6	Drive Spindle Assembly	9485-012	9485-012
7	Calibration Vane Assembly	11097-110	11097-110
8	Measuring Chamber Assembly	9861-200	9861-200
9	Bolts (Qty)	8396-605 (4)	8396-605 (4)
10	Maincase Gasket	9857-003	9857-003
11	Maincase	9854-012	9854-011
12	Cover Assembly	9859-200	9859-200
13	Lock Ring	9856-001	9856-001
14	Flow Conditioner/Strainer	9855-001	9855-001
15	O-Ring	8316-022	8316-022
16	Seal Ring (not shown)	8340-062	8340-062

**3"-10"**

ITEM	DESCRIPTION	METER SIZE AND PART NUMBERS				
		3" HP	4" HP	6" HP	8" HP	10" HP
1	Cover Assembly	11328-130	11328-230	11328-330	11328-430	11328-530
2	Cover	11361-002	11330-002	11359-002	11359-002	11359-002
3	Calibration Vane Stem Assembly	11354-000	11354-000	11354-000	11354-000	11354-000
4	Calibration Vane Stem O-Ring	8316-022	8316-022	8316-022	8316-022	8316-022
5	Calibration Vane Stem Nut	8545-417	8545-417	8545-417	8545-417	8545-417
6	Maincase Bolts	8329-405	8329-405	8329-421	8329-421	8329-421
7	Maincase O-Ring	8316-270	8316-271	8316-272	8316-272	8316-272
8	Measuring Chamber Assembly	11329-100	11329-200	11329-300	11329-400	11329-500
9	Magnet Gear Assembly	11347-110	11347-210	11347-310	11347-410	11347-510
10	Maincase	11360-003	11327-002	11356-011	11357-002	11358-002
11	Seal Tube (not shown)	11335-103	N/A	N/A	N/A	N/A
12	Element Seal (not shown)	N/A	11335-001	N/A	N/A	N/A
13	Drive Pinion	11352-001	11352-002	11352-003	11352-004	11352-005
14	Calibration Vane Gear	11353-001	11353-001	11353-001	11353-001	11353-001
15	Calibration Vane Spindle Assembly	11345-100	11345-200	11345-300	11345-300	11345-300





(UME includes: Register, Gasket, Cover, and Turbine Rotor Assembly)

SIZE	REGISTRATION	DIRECT READ		ProRead™ (Pit) 4-Wheel*		ProRead™ (Pit) 6-Wheel*		E-CODER® (Pit)		E-CODER®R900i™ (Pit)	
		REGISTER	UME	REGISTER	UME	REGISTER	UME	REGISTER	UME	REGISTER	UME
1½" & 2" HP	Cu. Ft	R85F1	9700-010	R75F11	9700-011	R75F12	9700-018	RH5F11	9700-019	RW5F11	9700-001
	Gal	R85G1	9700-020	R75G11	9700-021	R75G12	9700-028	RH5G11	9700-029	RW5G11	9700-002
	M³	R85M1	9700-040	R75M11	9700-041	R75M12	9700-048	RH5M11	9700-049	RW5M11	9700-004
3" HP	Cu. Ft	R85F2	9700-110	R75F21	9700-111	R75F22	9700-118	RH5F21	9700-119	RW5F21	9700-101
	Gal	R85G2	9700-120	R75G21	9700-121	R75G22	9700-128	RH5G21	9700-129	RW5G21	9700-102
	M³	R85M2	9700-140	R75M21	9700-141	R75M22	9700-148	RH5M21	9700-149	RW5M21	9700-104
4" HP	Cu. Ft	R85F3	9700-210	R75F31	9700-211	R75F32	9700-218	RH5F31	9700-219	RW5F31	9700-201
	Gal	R85G3	9700-220	R75G31	9700-221	R75G32	9700-228	RH5G31	9700-229	RW5G31	9700-202
	M³	R85M3	9700-240	R75M31	9700-241	R75M32	9700-248	RH5M31	9700-249	RW5M31	9700-204
6" HP	Cu. Ft	R85F4	9700-310	R75F41	9700-311	R75F42	9700-318	RH5F41	9700-319	RW5F41	9700-301
	Gal	R85G4	9700-320	R75G41	9700-321	R75G42	9700-328	RH5G41	9700-329	RW5G41	9700-302
	M³	R85M4	9700-340	R75M41	9700-341	R75M42	9700-348	RH5M41	9700-349	RW5M41	9700-304
8" HP	Cu. Ft	R85F5	9700-410	R75F51	9700-411	R75F52	9700-418	RH5F51	9700-419	RW5F51	9700-401
	Gal	R85G5	9700-420	R75G51	9700-421	R75G52	9700-428	RH5G51	9700-429	RW5G51	9700-402
	M³	R85M5	9700-440	R75M51	9700-441	R75M52	9700-448	RH5M51	9700-449	RW5M51	9700-404
10" HP	Cu. Ft	R85F0	9700-510	R75F01	9700-511	R75F02	9700-518	RH5F01	9700-519	RW5F01	9700-501
	Gal	R85G0	9700-520	R75G01	9700-521	R75G02	9700-528	RH5G01	9700-529	RW5G01	9700-502
	M³	R85M0	9700-540	R75M01	9700-541	R75M02	9700-548	RH5M01	9700-549	RW5M01	9700-504

\*Registers do not include ARB® remote receptacles.

Note: When ordering registers, please include change gear combination or four-digit register code from dial face.

Neptune engages in ongoing research and development to improve and enhance its products. Therefore, Neptune reserves the right to change product or system specifications without notice.

**Neptune Technology Group Inc.**  
 1600 Alabama Highway 229  
 Tallahassee, AL 36078  
 USA  
 Tel: (800) 645-1892  
 Fax: (334) 283-7293

**Neptune Technology Group (Canada) Ltd.**  
 7275 West Credit Avenue  
 Mississauga, Ontario  
 L5N 5M9  
 Canada  
 Tel: (905) 858-4211  
 Fax: (905) 858-0428

**Neptune Technology Group Inc.**  
 Ejército Nacional No. 418  
 Piso 12, Desp. 1201-1202  
 Col. Chapultepec Morales  
 Delegación Miguel Hidalgo  
 11570 México, Distrito Federal  
 Tel: (525) 55203 5294 / (525) 55203 5708  
 Fax: (525) 55203 6503

