

# Parts List

Mainline & Irrigation Propeller Meters

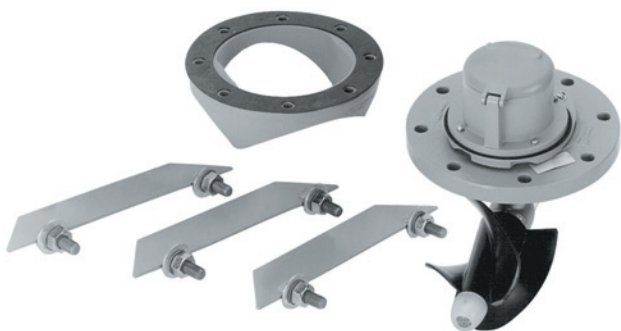
Models 101, 102, 111, 112, 119, 120, 305, 306



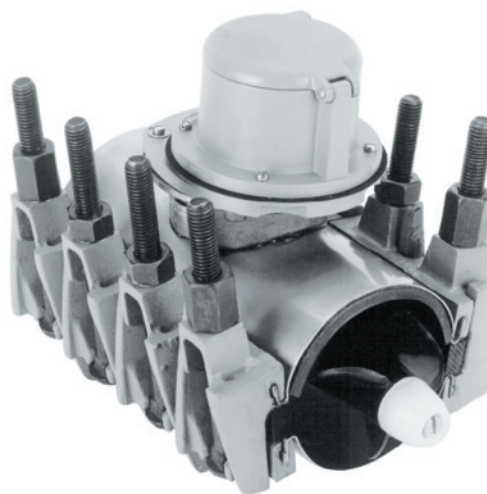
Models 101, 102



Models 111, 112

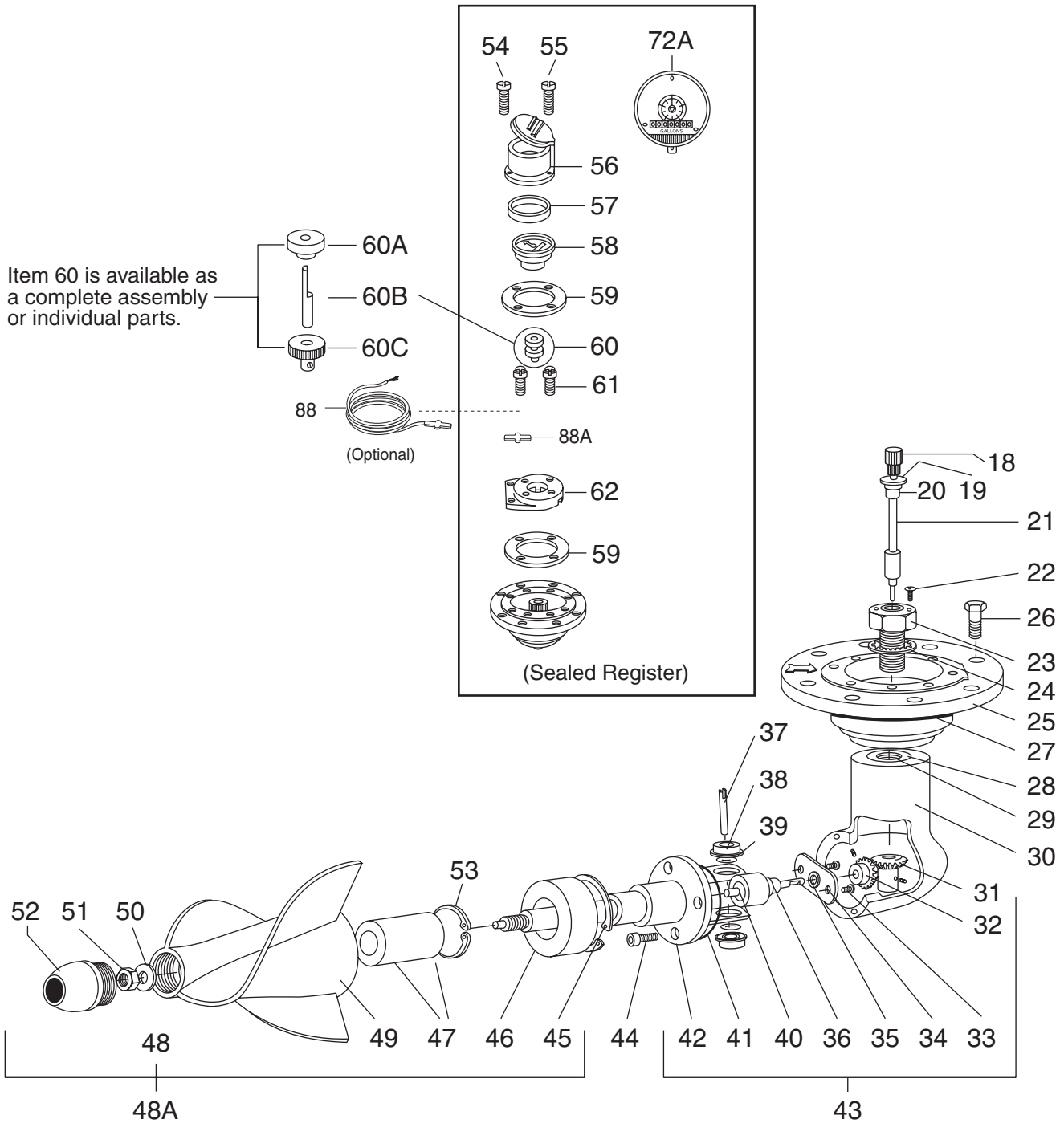


Models 119, 120

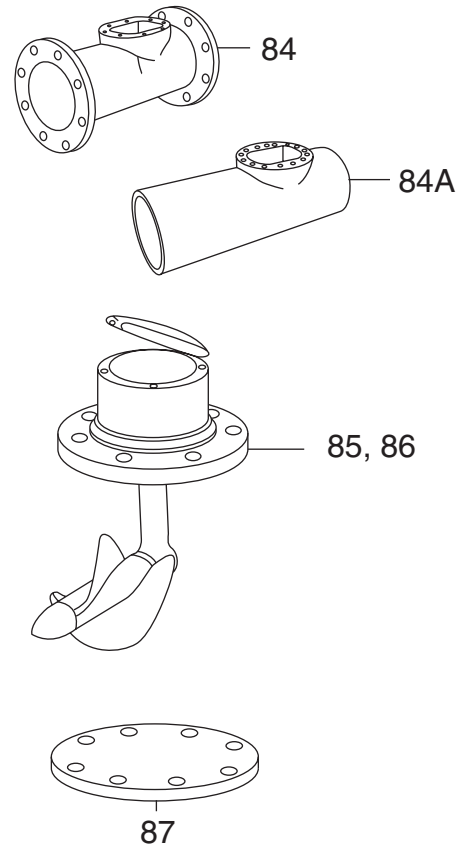
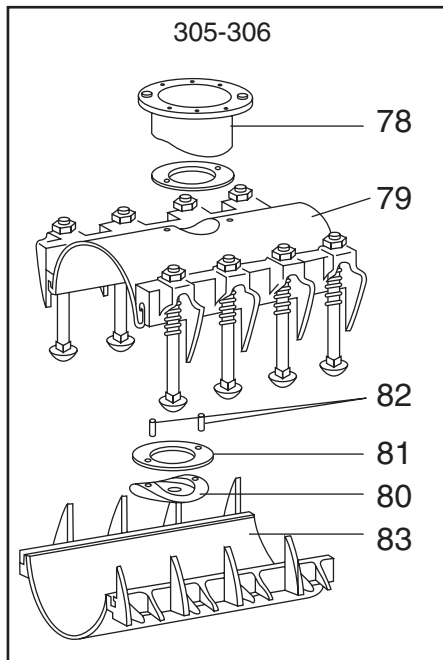


Models 305, 306

Models 101, 102, 111, 112, 119, 120, 305, 306



## Models 101, 102, 111, 112, 119, 120, 305, 306

**WARRANTY**

Sensus warrants its products only against defects in materials and workmanship. Sensus' liability and customer's exclusive remedy under this warranty or any warranty extends for a period of one (1) year from the date of Sensus' shipment and is expressly limited to repayment of the purchase price, repair or replacement, at Sensus' option, during said period, upon proof satisfactory to Sensus and upon customer's returning and prepaying all charges on such products to factory or warehouse designated by Sensus.

THIS WARRANTY IS MADE EXPRESSLY IN LIEU OF ALL OTHER WARRANTIES; EXPRESS, IMPLIED, OR STATUTORY, WITH RESPECT TO QUALITY, MERCHANTABILITY, OR FITNESS FOR A PARTICULAR PURPOSE.

## Models 101, 102, 111, 112, 119, 120, 305, 306

ILL. No.	Name of Part
18	Register Driver "A" Gear *
19	Vertical Shaft Upper Bearing
20	Set Collar Assembly
21A	Vertical Shaft Assembly—Models 101, 102, 111, 112, 119 & 120 Only (Specify Meter Size)
21B	Vertical Shaft Assembly—Models 305 & 306 (Specify Meter Size)
22	Upper Bearing Retainer Screw (one required)
23	Sleeve Bolt
24	Lockwasher
25	Meter Head Only
26	Meter Head Bolts
27	Meter Head Gasket or O-Ring
28	Gear Box O-Ring
29	Gear Box Groove Pin
30	Gear Box
31	Driven Mitre Gear & Set Screw
32	Driver Mitre Gear & Set Screw
33	Support Plate Screw
34	Support Plate
35	Magnet Shaft Bearing
36	Magnet Shaft & Spindle
37	Driven Mitre Gear Shaft
38	Mitre Gear Shaft Bearing
39	Shim 1/4" ID
40	Shim 3/16" ID
41	Separator O-Ring
42	Separator—Ceramic Coated W/Thrust Pin
43	Separator Assembly Complete—Includes Parts #31, #32, #33, #34, #35, #36, #37, #38, #39, #40, #41 & #42
44	Separator Mounting Screws
45	Snap Ring
46	Driven Magnet
47	Ceramic Bearing Assembly—Not Sold Separately
48	Propeller Assy Complete Black—Includes #45, #46, #47, #48, #49, #50, #51, #52 & #53

ILL. No.	Name of Part
49	Propeller Available Only as an Assembly—See 48
50	Propeller Washer—Thick
51	Propeller Lock Nut
52	Nose Cone Assembly
53	Snap Ring
54	Register Bonnet Sealscrew W/Seal Wire Hole
55	Register Bonnet Sealscrew
56	Register Bonnet and Lid
56A	Hinge Pin
56B	Lid Only
56C	Register Bonnet Only
57	Register Gasket
58	Sealed Register
59	Adapter Gasket
60	Magnet and Gear Assembly (Specify Serial Number)
60A	Magnet
60B	Magnet Shaft
60C	Register Driven B-Gear
61	Adapter Plate Screws
62	Adapter Plate
72A	ROFI Electronic Sealed Register
78	Register Cup for Models 305-306 Only
79	Upper Band Assembly Models 305-306 Only
80	Register Cup Follower for Models 305-306
81	Register Cup Gasket for Models 305-306 Only
82	Register Cup Pins for Models 305-306 Only
83	Lower Band, Models 305-306 Only
84	Meter Tube Assembly for Models 101-102
84A	Meter Tube Assembly for Models 111-112
85	Meter Head Complete w/Standard Sealed Register for Models 101,111 & 119
86	Meter Head Complete w/Sealed Electronic ROFI Register for Models 102,112 & 120
87	Dummy Cover Plates
88	HET Transmitter with 24 feet of cable
88A	Adapter Plug (When H.E.T. Is Not Utilized)

\* Specify Number of Teeth or Meter Serial Number

