

iPERL™ Water Management System

Installation Guidelines

To ensure proper performance, the following factors should be considered when installing an iPERL system:

- Suitable shutoff valves should be installed adjacent to the inlet and outlet of the iPERL system so that the service may be shutoff if it is necessary to remove the iPERL system.
- Clean and flush the service line thoroughly on the inlet side before installing the iPERL system.
- Make sure that metallic water service plumbing is properly grounded as per local electrical codes. If installing indoors, install an electrical grounding strap for safety.
- The water lines must be coaxially aligned within 3 degrees (0.4 inches) to ensure a proper seal.
- It is recommended that old gaskets be completely removed and discarded and new 3/32" thick rubber gaskets be used with every installation.

To install an iPERL system:

1. Unpack the iPERL system from the packaging and remove the spud thread protectors.
2. Inspect the iPERL system for any parts that may have been damaged during shipping.
3. If a new install, thoroughly flush new water service plumbing before installing the iPERL system.
4. Turn off the water supply valves.



Insure the metallic water service plumbing is properly grounded per electrical codes.
If installing indoors, install an electrical grounding strap for safety.

5. If an existing install, pull the current meter out of the pit or disassemble current meter.
6. Orientate the iPERL system so that the direction of the flow arrow on the system body is aligned with the direction of the flow arrow in the plumbing system.
7. Install new iPERL system connection gaskets in both meter couplings.
8. Align the threads and hand-tighten the coupling nuts.
9. Using a wrench, tighten an extra 1/4 to 1/2 turn on each coupling nut.

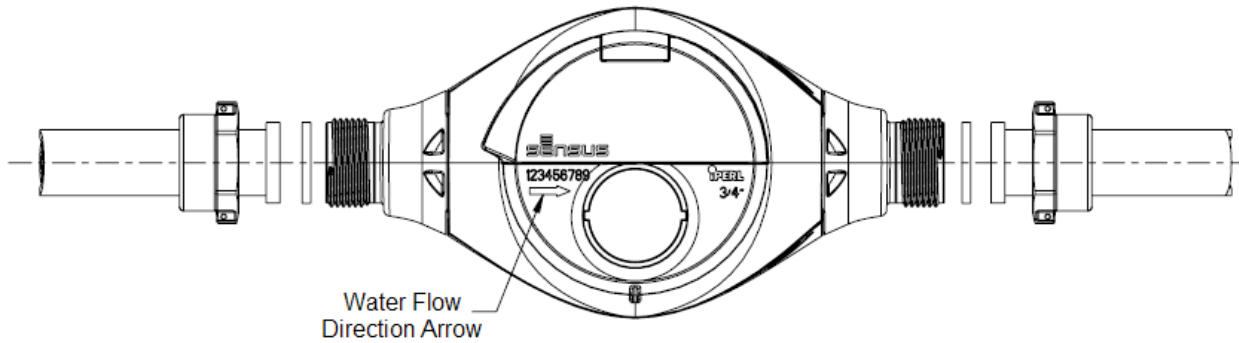


Do not over-tighten. You may tighten after turning on the water (if leaks are present).

10. After the iPERL system is installed, shut-off the outlet shut-off valve.
11. Open the inlet shut-off valve slowly until the iPERL system is full of water and ensure that there are no leaks.
12. Open the outlet valve slowly until air is out of the meter and service line.
13. Open a valve downstream of the iPERL system to ensure that no foreign debris in the water obstructs the operations of the system.
14. Check the read on the iPERL system to make sure it is registering a positive number. If it is not, make sure the iPERL system is installed in the correct direction.
15. Attach an endpoint to the iPERL system via a coupler cable, if required.
16. Record read information as required by the utility.

iPERL™ Water Management System Installation Guidelines

Top View
Meter Installation



Meter Installation Opening
Meter opening should not exceed +0.2" of the meter lay length

Meter Lay Length

