



CONVERT TO ELECTRICAL OUTPUT, RELIABLY.

Registers compatible with Master Meter 5/8" to 2" top load Multi-jet Cold or Hot Water Meters and 2" to 12" Turbine Meters providing single or double contact closure corresponding to defined volume increments.

Commonly used in water utility, industrial and agricultural installations where totalization is required at a site remote from the meter, and where precise volume input to batching equipment is required, for injection of chemicals, dyes or other additives.

FEATURES & BENEFITS:

- * Great for water utility, industrial, and agricultural applications
- * Compatible with Master Meter 5/8" to 2" Multi-Jet Cold or Hot Water meters
- * Switch enclosed in a vacuum-sealed glass tube
- * Available as single or dual switch output for maximum flexibility

TECHNICAL SPECIFICATIONS:

- * **DESCRIPTION:** Registers compatible with Master Meter 5/8" to 2" Multi-jet Cold or Hot Water Meters and 2" to 12" Turbine Meters providing single or double contact closure corresponding to defined volume increments.
- * **APPLICATIONS:** In utility, industrial & agricultural installations where:
 - Totalization is required at a site remote from the meter
 - Precise volume input to batching equipment is required
- * **SWITCH TYPE:** Reed Switch Type Proximity Sensor. Dry contact switch.
- * **CONSTRUCTION:** Permanently sealed, magnetic drive register, with stainless steel register base, plastic lens and wraparound gasket. A standard six-wheel mechanical odometer accommodates on-site reading when required.
 - Single Switch Output:* Switch is enclosed in a vacuum-sealed glass tube. The switch assembly locks, with a bayonet fit, into a sealed cavity in the register.
 - Dual Switch Output:* Switches are enclosed in a vacuum-sealed glass tube and permanently epoxy sealed in the register lens.
- * **OUTPUT:** Quantity of water per switch closure varies with meter size. Output options include 1, 10 and 100 percent of register sweep, specified on order. Output options by meter size and registration are summarized on the reverse side of this bulletin.
- * **COMPATIBLE EQUIPMENT:** Master Meter: LCD Remote Counter & Batching Unit. Other Equipment: Electrical/electronic counters, totalizers, actuators, injection equipment and proportional feed pumps.
- * **WIRING DISTANCES:** Reed switch assembly is factory sealed to 3 feet of 24 gauge, 2-conductor stranded cable. Remote counting or batching equipment can be installed up to 200 feet from the meter, connected by 24 gauge, 2-conductor stranded cable.
- * **ELECTRICAL SPECS:** *Maximum Switched Current:* 500 mA; *Maximum Recommended Switching:* 32 Volts (AC or DC); *WARNING: We recommended contacts be kept within the stated parameters. Contact Resistance:* 70 mOhms; *Power Requirements:* Electrical output register consumes no power, making it suitable for use with low current, dry battery powered devices.
- * **WARRANTY:** Electrical Output registers are warranted for one year from shipment date.



Reading the Future™

ELECTRICAL OUTPUT REGISTERS

FOR MULTI-JET AND TURBINE METER

REGISTER OUTPUT OPTIONS BY METER TYPE, SIZE AND REGISTRATION

USAGE IN GALLONS

Meter Type/Size	Gallons Per Switch Closure						
	0.1 g	1 g	10 g	100 g	1000 g	10,000 g	100,000 g
Multi-jet Meters							
5/8" & 5/8" x 3/4"	Shaded						
3/4", 1", 1-1/2", 2"		Shaded					
Turbine Meters							
2", 3", 4"			Shaded				
6", 8"				Shaded			
10", 12"					Shaded		

USAGE IN CUBIC FEET

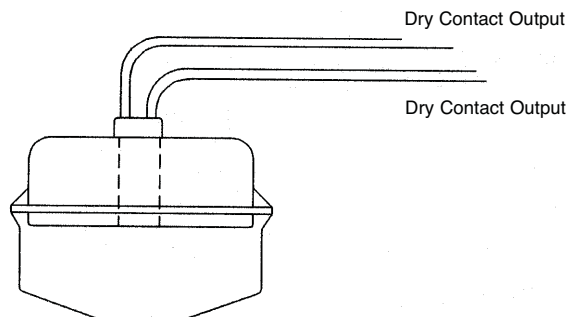
Meter Type/Size	Cubic Feet Per Switch Closure						
	0.01 cf	0.1 cf	1 cf	10 cf	100 cf	1000 cf	10,000 cf
Multi-jet Meters							
5/8" & 5/8" x 3/4"	Shaded						
3/4", 1", 1-1/2", 2"		Shaded					
Turbine Meters							
2", 3", 4"			Shaded				
6", 8"				Shaded			
10", 12"					Shaded		

COMPOUND METER OUTPUTS

Output From Both High and Low Flow

Size	High Flow	Low Flow
	Turbine	Multi-jet
2"	2"	5/8"
3"	3"	5/8"
4"	4"	1"
6"	6"	1-1/2"

DUAL OUTPUT REGISTER CONFIGURATION



Master Meter, Inc. Reading the Future™
101 Regency Parkway, Mansfield, TX 76063
Toll Free: 800-765-6518 • Main Line: 817-842-8000 • FAX: 817-842-8100
MASTERMETER.COM

©2008 Master Meter, Inc. All rights reserved. DIALOG and Master Meter are registered trademarks of Master Meter, Inc. Master Meter reserves the right to make modifications to the products described herein at any time and without notice. U.S. Patent No. 6,819,292; 6,954,178; and others pending. EnviroBrass® is a registered trademark of ASARCO.

