



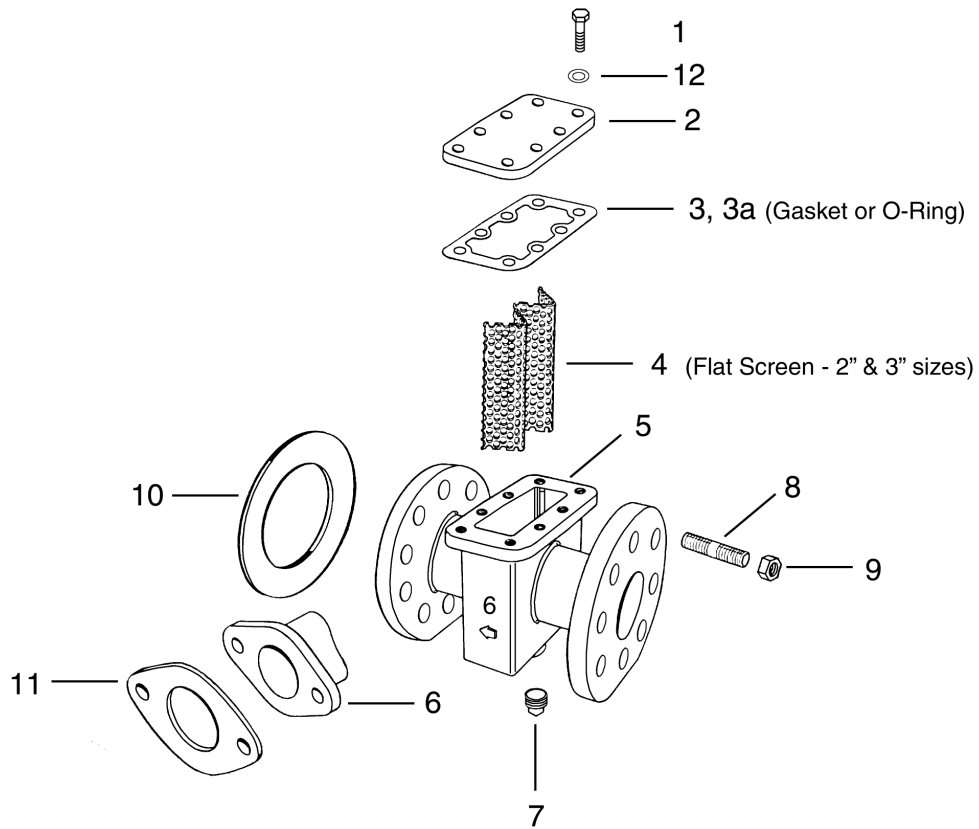
**Badger Meter**

**Bronze Plate Strainers**  
Sizes 2", 3", 4" and 6"

Distributed By  
**MVC**

**Meter, Valve & Control**  
**877-566-3837**





| ITEM # | PART NAME                                   | PART NUMBER |           |           |           |
|--------|---|-------------|-----------|-----------|-----------|
|        |   | 2"          | 3"        | 4"        | 6"        |
| 1      | Bolt, Housing, Hex. Head                    | 55031-060   | 55031-062 | 55031-062 | 55031-062 |
| 2      | Cover (81 Metal)                            | 63233-001   | 63281-001 | 63281-001 | 66328-001 |
| 2      | Cover (LL)                                  | 63233-003   | 63281-003 | 63281-003 | 66328-002 |
| 3      | O-Ring                                      | 22650-050   | 22650-051 | 22650-051 | 64083-015 |
| 4      | Screen Plate                                | 63277-001   | 63283-002 | 63285-001 | 65580-001 |
| 5      | Housing, Dual Flange, Round (81 Metal)      | 63295-001   | 64151-001 | 63320-001 | 66322-001 |
| 5      | Housing, Dual Flange, Round (Low Lead)      | 63295-003   | 64151-005 | 63320-005 | 66322-002 |
| 6      | Housing, Dual Flange, Elliptical (81 Metal) | 63296-001   | -----     | -----     | -----     |
| 6      | Housing, Dual Flange, Elliptical (Low Lead) | 63296-003   | -----     | -----     | -----     |
| 7      | Plug, Drain, (Low Lead)                     | -----       | -----     | -----     | 33879-015 |
| 7      | Plug, Drain (Stainless Steel)               | 33879-013   | 33879-013 | 33879-013 | -----     |
| 8      | Studs                                       | 58586-001   | 58586-003 | 58586-002 | 58586-004 |
| 9      | Nuts  | 55005-034   | 55005-034 | 55005-034 | 55007-035 |
| 10     | Gasket, Flange, Round                       | 11071-008   | 11071-009 | 11071-010 | 11071-011 |
| 11     | Gasket, Flange, Elliptical                  | 3241-000    | -----     | -----     | -----     |
| 12     | Washer                                      | 55262-015   | 55262-015 | 55262-015 | -----     |

© 2011 Badger Meter, Inc. All rights reserved.



Due to continuous research, product improvements and enhancements, Badger Meter reserves the right to change product or system specifications without notice, except to the extent an outstanding contractual obligation exists.

**Badger Meter | P.O. Box 245036, Milwaukee, Wisconsin 53224-9536**  
**800-876-3837 | infocentral@badgermeter.com | www.badgermeter.com**