

Industrial Oil Meters

Models Elster 4 & Elster 8

Sizes: 1/8" & 1/4"



Model Sizes:	1/8"	1/4"
Minimum flow GPH (l/h)	0.25 (1)	1 (4)
Max Rec Cont flow GPH (l/h)*	14 (50)	35 (135)
Peak flow GPH (l/h)	20 (80)	50 (200)
Accuracy	±1%	±1%
Max Oper Pressure psi (bar)	355 (25)	355 (25)
Max Operating Temp °F (°C)	140 (60)	140 (60)

Register Reading

Smallest Quantity USG (l)	0.001 (0.001)	0.01 (0.01)
Capacity in Millions USG (l)	0.1 (0.1)	1 (1)

Physical Description

Weight in lbs. (kg)	1.5 (0.7)	1.8 (0.8)
Threaded Connection Type**	1/8" FNPT	1/4" FNPT
Safety Filter Mesh (incl.)	120	100
Recommended Strainer Mesh	200	140

Optional Pulse Units

Reed Pulser (Pulses/USG)	10	10, 1216
Reed Pulser (Pulses/l)	10, 100, 800	1, 10, 322

Materials

Meter Body	Brass
Cover	Plastic (Oil Proof)
Working Chamber	Brass
Shutter	Brass
O-rings	Buna N (AMCO 4) Viton (AMCO 8)
Piston	Anodized Aluminum
Safety Filter	316 Stainless Steel

*Meter selection should be based on the maximum recommended continuous flow rating.

**Using the provided adapters.

This Elster AMCO Water line of compact high precision oscillating piston oil flow meters covers a range of flows from 0.25 to 50 GPH. These meters are capable of handling light heating oil, diesel, and even gasoline. Accuracy is ± 1% throughout the operating flow range for each meter. Each meter is tested with #2 oil at 70°F to verify the accuracy.

Typical applications of these Elster AMCO Water oil meters include: Measuring heating oil consumption in burners for heating units and industrial furnaces; measuring fuel consumption in land-based and sea-based diesel and gasoline engines including emergency power generators; industrial batching applications.

The user has the option of mounting these meters horizontally, vertically, or on any plane in between. Elster AMCO Water oil meters include a register face that features a 1:1 piston ratio low-flow indicator to detect plumbing leaks and a high resolution sweep hand on the register.

Pulse units are available in both high and low speed pulse outputs (Elster 8), allowing multi-dimensional electronic interfacing for batch operations, rate of flow indications, or remote readouts and control. The Elster 4 is available with a low rate pulser and registration is retained even with the addition of a pulse output to either the AMCO 4 or Elster 8. Compatible electronic equipment is available from Elster AMCO Water.



www.elster.com

| sales@mvandc.com | Phone: 877.566.3837 | Fax: 925.407.2903

Reed Pulsar:

- 2 wire system
- Max Voltage: 48 VAC/VDC
- Max Current: 50 mA
- Max Switch Power: 3 W
- Max Resistor (47 Ohm) Power: 0.5 W
- On Time: 50 ± 20%
- No cable supplied

Note: This pulsar is not polarity (+/-) sensitive.



Elster 4

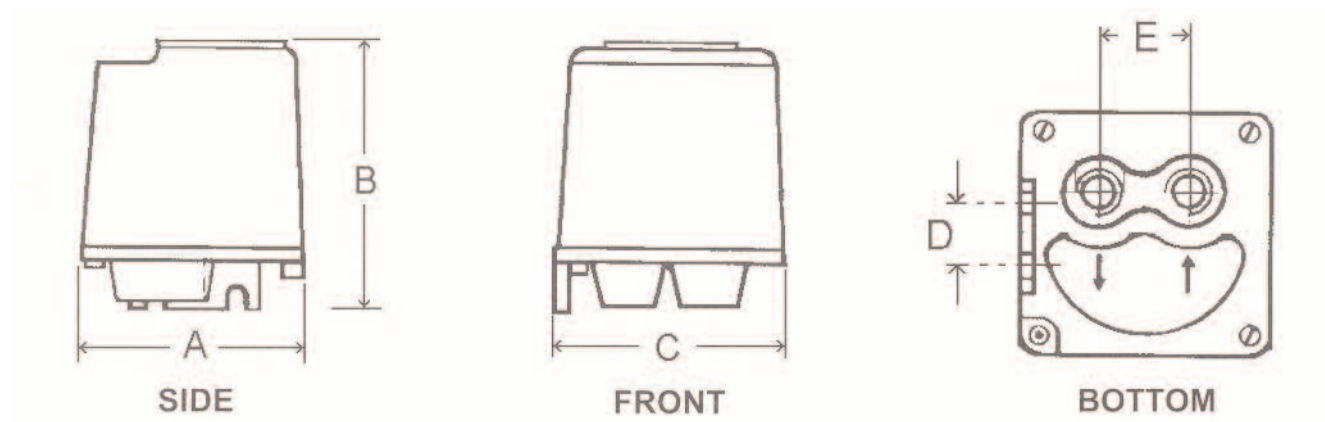
Dimensions

Meter	Dimensions in Inches (mm)				
Size	A	B	C	D	E
1/8"	2.50 (65)	3.125 (79)	2.50 (65)	0.725 (18)	0.875 (23)
1/4"	2.50 (65)	3.125 (79)	2.50 (65)	0.725 (18)	0.875 (23)

Note: All dimensions are ±1/16",



Elster 8



Elster AMCO Water, Inc.
 PO Box 1852
 Ocala, FL 34478-1852
 United States

T +1 800 874 0890
 F +1 352 368 1950

watermeters@us.elster.com
 www.elster.com

© 2007 by Elster. All rights reserved.

The company's policy is one of continuous product improvement and the right is reserved to modify the specifications contained herein without notice. These products have been manufactured with current technology and in accordance with applicable AWWA Standards.

IND-OIL-48/06-07