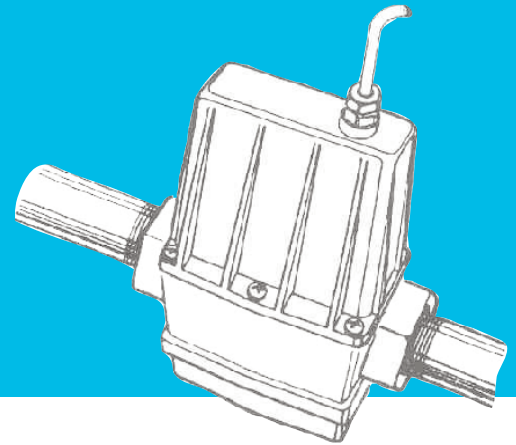


INDUSTRIAL MODEL R-420

Rate indicator/transmitter totalizer



Mechanical

Housing Material:	Nylon 6/6
Strain Relief:	Hubble PG7
Housing Thread:	Female 1/2-20 UNF-2B
Cable:	Belden 9363
Cable Length:	10 ft. (3m) provided
Operation Temperature:	0° to + 150°F (-17° to 65°C)
Storage Temperature:	-40° to +180°F (-40° to +82°C)

Power

Type:	Loop Powered
Burden (Minimum):	7 Volts DC
Maximum:	30 Volts DC
Isolated:	No

Primary Output (4-20mA)

Type:	Loop
Minimum:	4 mA
Maximum:	25 mA

Secondary Output (0-5 Volt)

Type:	Voltage Mode
Minimum:*	0 Volts*
Maximum:*	5 Volts*

* Output may not be linear at extremes.

Input

Open Collector from AMCO Computer Electronics or Conditioned Signal Module. 4-20 mA Module will accept frequencies generated by all AMCO Industrial Grade (A2) turbine housings. This module should not be used with frequency generating devices other than AMCO Models.

Note: Register display continues to be powered by batteries.

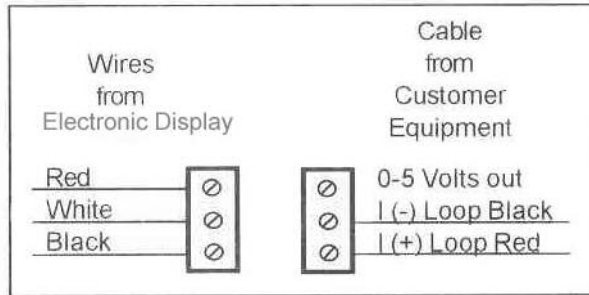
Combine the 4-20 mA Module with an Industrial Grade Turbine and Computer Electronics to provide an industry standard analog signal for connection to a wide variety of chart recorders, display equipment, and process control equipment.

This module, when operating within its normal range, outputs an analog signal which is directly proportional to the frequency of the digital input. Upon installation, the user completes simple adjustments to scale the module to represent whatever range is desired.

The 4-20 mA Module comes complete, ready to install, with a circuit assembly, main module, and 10 ft. (3m) of cable.

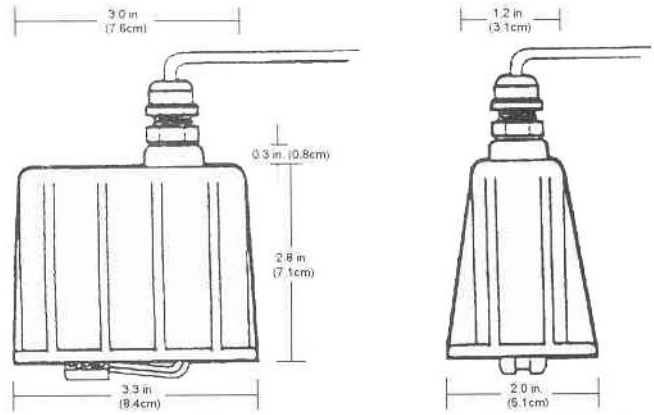
- Provides an industry standard analog signal.
- Simple user adjustments modify module output to desired range.
- Communicates with most analog process control devices.
- Installs easily.
- May be ordered at time of meter purchase or retrofitted.
- Module provides external power to computer electronics.
- Module installs on all turbine sizes.

4-20 mA Module Terminal Connections



Wires from Electronic Display detail:

White wire from 10- pin connector J2.
 Red wire from 10-pin connector J5.
 Black wire from 10-pin connector J6.



Elster AMCO Water, Inc.
 PO Box 1852
 Ocala, FL 34478-1852
 United States

T +1 800 874 0890
 F +1 352 368 1950

watermeters@us.elster.com
 www.elster.com

© 2007 by Elster. All rights reserved.

The company's policy is one of continuous product improvement and the right is reserved to modify the specifications contained herein without notice. These products have been manufactured with current technology and in accordance with applicable AWWA Standards.

IND-420MOD/06-07