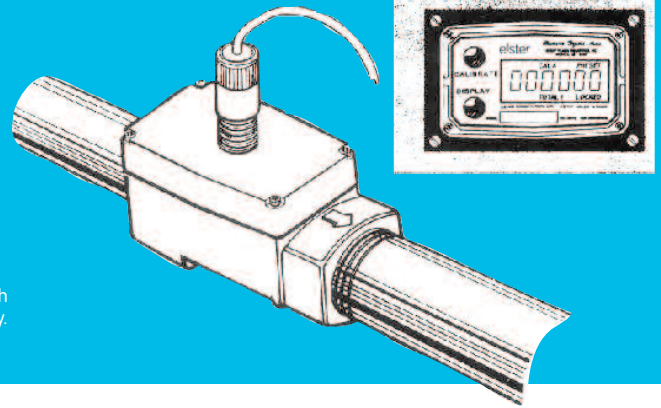


Industrial Standard Remote Kit Assembly



Standard Remote Kit Assembly shown with a 1-inch meter which is sold separately.

Materials:

Dustcover connections	Molded plastic with terminal block
Sensor magnetic pickoff	5/8 - 18 thread Stainless Steel
Coverplate	Cast aluminum with burnished finish

Technical Data:

Magnetic Pickoff	1.5 k Ohm, 700 mH
Cable	10 ft. (3 m), 2-conductor shielded, Belden #12664 or #8461
Signal Type	Low level Sine Wave Peak to Peak Voltage 33 mV to 825 mV
Frequency*	11 to 750 Hz
Transmission Distance	Up to 300 ft. (91.4 m)

Operational Temperature Ranges:

Turbine Housing	-40°F to +250°F (-40°C to +121°C)
Computer Electronics	+14°F to +140°F (-10°C to +60°C)

Note: No Cable required.

* Refer to Turbine Specifications for exact frequency range.

Operation.

Designed to compliment Chemical Turbine Meters, this kit allows the turbine to be separated from the computer electronics so fluid temperatures up to 250°F (121°C) can be measured successfully. The Remote Kit also provides the versatility of panel mounting of the LCD readout up to 300 ft. (91.4 m) from the turbine housing and sensor.

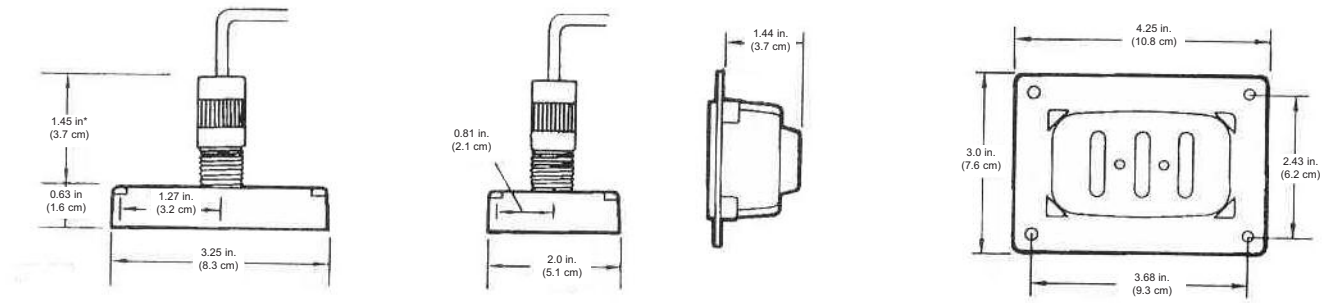
This kit consists of a sensor module, a dust-cover assembly, and 10 ft. (3 m) of cable. When combined with a standard Elster AMCO Water meter, the kit is fully operational for any remote indication application.

This kit can upgrade an existing Elster AMCO Water meter or can be purchased with a new meter.

- Accommodates fluid temperatures up to 250°F (121°C).
- Accommodates fluid temperatures down to -40°F (-40°C).
- Allows LCD readout to be located up to 300 ft. (91.4 m).
- Maybe ordered at time of meter purchase or retrofitted.

Note: Standard Remote Kit Assembly shown with a 1-inch meter which is sold separately.





Elster AMCO Water, Inc.
 PO Box 1852
 Ocala, FL 34478-1852
 United States

T +1 800 874 0890
 F +1 352 368 1950

watermeters@us.elster.com
 www.elster.com

© 2007 by Elster. All rights reserved.

The company's policy is one of continuous product improvement and the right is reserved to modify the specifications contained herein without notice. These products have been manufactured with current technology and in accordance with applicable AWWA Standards.

IND-RKA-100/06-07